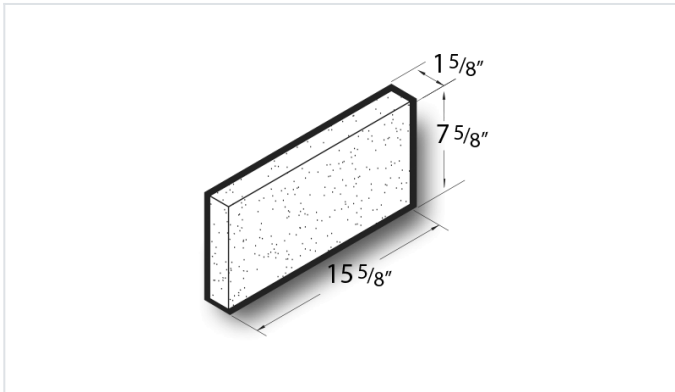


1 5/8x8x16 Solid Cap Block

Product No: 351500100



1 5/8x8x16 Solid Cap Block are also available in any other solid shapes or sizes your project requires.

[Contact](#) your Best Block representative for special requests and additional options.

- Available in medium, normal, and light-weight varieties
- Competively priced and produced locally.
- Concrete blocks are naturally fire-resistant, highly durable, and its mass creates energy-efficient wall systems.
- Item weight and pallet count may vary by location.
- [Contact](#) your Best Block representative for more information.

Unit(s)

Product No.	351500100
Weight/Block:	15.5
Block/Pallet:	168
Pallet Weight:	2664