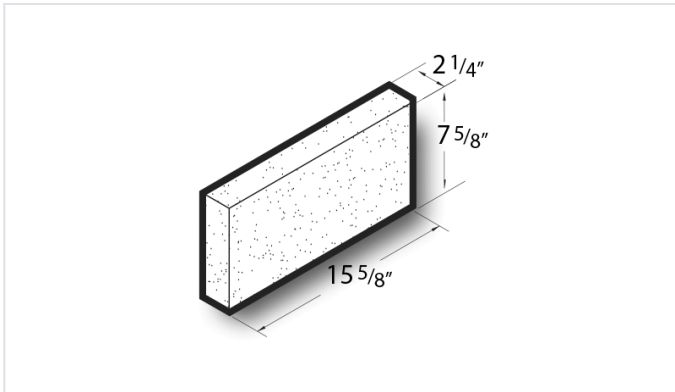


**2 1/4x8x16 Solid Cap Block**

**Product No: 361500100**



2 1/4x8x16 Solid Cap Block are also available in any other solid shapes or sizes your project requires.

[Contact](#) your Best Block representative for special requests and additional options.

- Available in medium, normal, and light-weight varieties
- Competitively priced and produced locally.
- Concrete blocks are naturally fire-resistant, highly durable, and its mass creates energy-efficient wall systems.
- Item weight and pallet count may vary by location.
- [Contact](#) your Best Block representative for more information.

**Unit(s)**

<b>Product No.</b>	361500100
<b>Weight/Block:</b>	21
<b>Block/Pallet:</b>	180
<b>Pallet Weight:</b>	3840