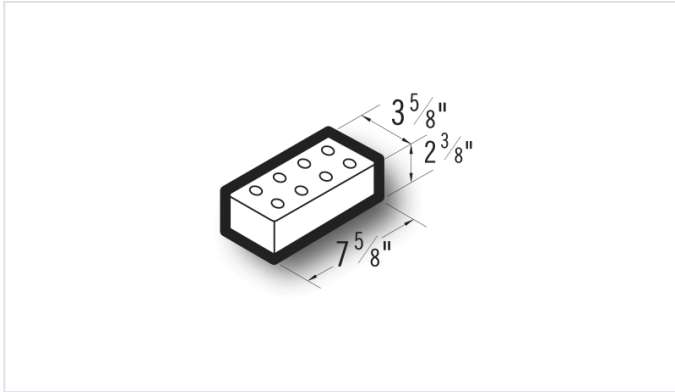


**4x8 60mm Holland ADA**

**Product No: 20000**



4x8 60mm Holland ADA pavers offers a wide variety of colors, patterns, sizes and textures to handle the project and enhance the natural beauty of the surroundings. [Contact](#) your Best Block representative for special requests and additional options.

- Available in medium, normal, and light-weight varieties
- Competitively priced and produced locally.
- Concrete blocks are naturally fire-resistant, highly durable, and its mass creates energy-efficient wall systems.
- Item weight and pallet count may vary by location.
- [Contact](#) your Best Block representative for more information.

**Unit(s)**

<b>Product No.</b>	20000
<b>Weight/Block:</b>	6
<b>Block/Pallet:</b>	480
<b>Pallet Weight:</b>	2880