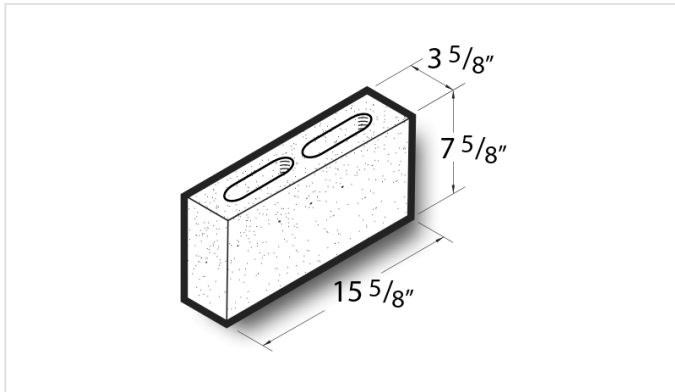


**4x8x16 Regular Fence Block**

**Product No: 401048100**



4x8x16 Regular Fence Block is an ideal solution for building fence wall with concrete masonry units that exceed ASTM C90 standard specifications in all weight classifications. [Contact](#) your Best Block representative for special requests and additional options.

- Available in medium, normal, and light-weight varieties
- Competitively priced and produced locally.
- Concrete blocks are naturally fire-resistant, highly durable, and its mass creates energy-efficient wall systems.
- Item weight and pallet count may vary by location.
- [Contact](#) your Best Block representative for more information.

**Unit(s)**

<b>Product No.</b>	401048100
<b>Weight/Block:</b>	29
<b>Block/Pallet:</b>	144
<b>Pallet Weight:</b>	4236