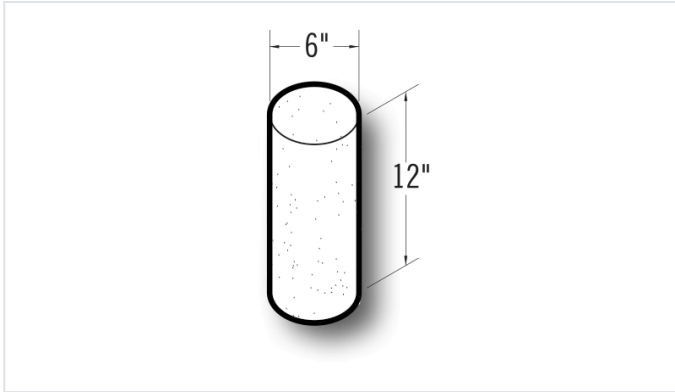


**6" Solid Cylinder**

**Product No: 6032**



6" Solid Cylinder are solid concrete masonry units intended for use as foundation piers in the construction of free-standing structures. [Contact](#) your Best Block representative for special requests and additional options.

- Available in medium, normal, and light-weight varieties
- Competively priced and produced locally.
- Concrete blocks are naturally fire-resistant, highly durable, and its mass creates energy-efficient wall systems.
- Item weight and pallet count may vary by location.
- [Contact](#) your Best Block representative for more information.

**Unit(s)**

<b>Product No.</b>	6032
<b>Weight/Block:</b>	28
<b>Block/Pallet:</b>	96
<b>Pallet Weight:</b>	2748