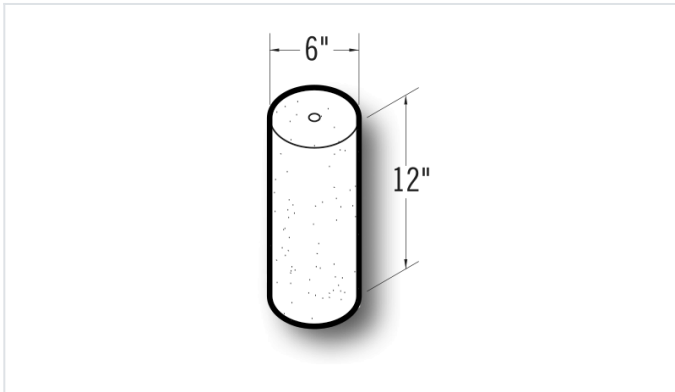


6" Solid Cylinder w 3/4 Hole

Product No: 60801-9



6" Solid Cylinder w 3/4 Hole are solid concrete masonry units intended for use as foundation piers in the construction of free-standing structures.

Contact your Best Block representative for special requests and additional options.

- Available in medium, normal, and light-weight varieties
- Competitively priced and produced locally.
- Concrete blocks are naturally fire-resistant, highly durable, and its mass creates energy-efficient wall systems.
- Item weight and pallet count may vary by location.
- **Contact** your Best Block representative for more information.

Unit(s)

Product No.	60801-9
Weight/Block:	28
Block/Pallet:	96
Pallet Weight:	2748