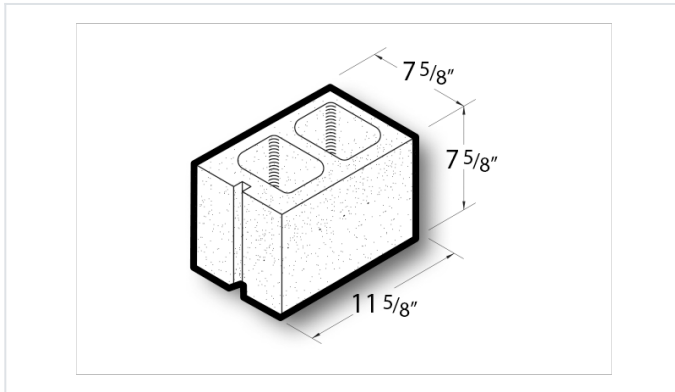


**8x8x12 3/4 Block**

**Product No: 801010100**



8x8x12 3/4 Block is a standard concrete masonry unit (CMU) that exceeds ASTM C90 standard specifications in all weight classifications. [Contact](#) your Best Block representative for special requests and additional options.

- Available in medium, normal, and light-weight varieties
- Competitively priced and produced locally.
- Concrete blocks are naturally fire-resistant, highly durable, and its mass creates energy-efficient wall systems.
- Item weight and pallet count may vary by location.
- [Contact](#) your Best Block representative for more information.

**Unit(s)**

|                       |           |
|-----------------------|-----------|
| <b>Product No.</b>    | 801010100 |
| <b>Weight/Block:</b>  | 27        |
| <b>Block/Pallet:</b>  | 96        |
| <b>Pallet Weight:</b> | 2592      |