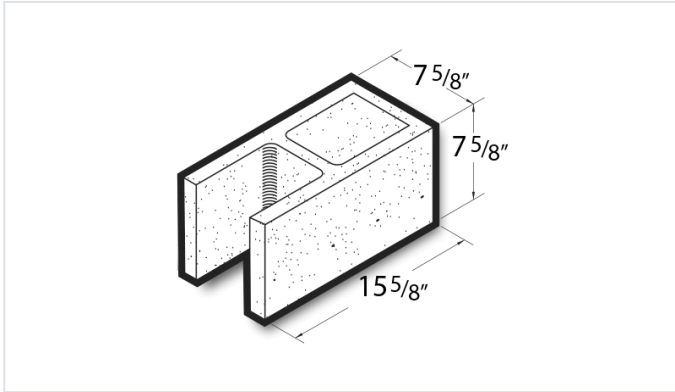


**8x8x16 ProBlock™**

**Product No: 801023100PB**



8x8x16 ProBlock™ is a standard concrete masonry unit (CMU) that exceeds ASTM C90 standard specifications in all weight classifications. [Contact](#) your Best Block representative for special requests and additional options.

- Available in medium, normal, and light-weight varieties
- Competitively priced and produced locally.
- Concrete blocks are naturally fire-resistant, highly durable, and its mass creates energy-efficient wall systems.
- Item weight and pallet count may vary by location.
- [Contact](#) your Best Block representative for more information.

**Unit(s)**

|                       |             |
|-----------------------|-------------|
| <b>Product No.</b>    | 801023100PB |
| <b>Weight/Block:</b>  | 35          |
| <b>Block/Pallet:</b>  | 72          |
| <b>Pallet Weight:</b> | 2520        |