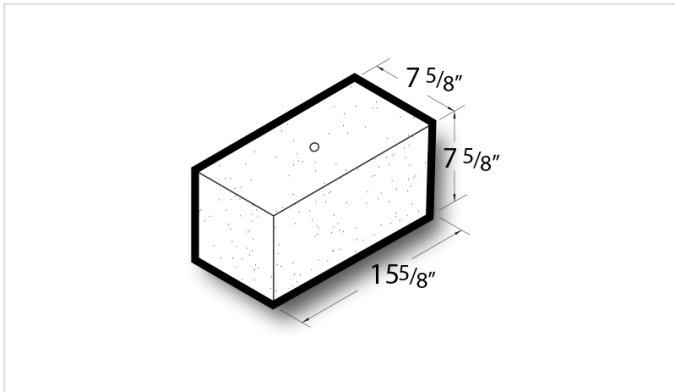


8x8x16 Solid HP Block w 1 1/4" Hole

Product No: 80804



8x8x16 Solid HP Block w 1 1/4" Hole are solid concrete masonry units intended for use as foundation piers in the construction of free-standing structures. [Contact](#) your Best Block representative for special requests and additional options.

- Available in medium, normal, and light-weight varieties
- Competitively priced and produced locally.
- Concrete blocks are naturally fire-resistant, highly durable, and its mass creates energy-efficient wall systems.
- Item weight and pallet count may vary by location.
- [Contact](#) your Best Block representative for more information.

Unit(s)

| | |
|-----------------------|-------|
| Product No. | 80804 |
| Weight/Block: | 74 |
| Block/Pallet: | 60 |
| Pallet Weight: | 4500 |