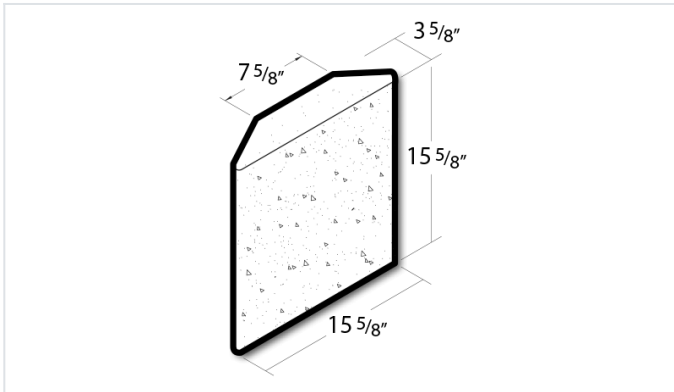


4x16x16 Solid, 1 Faced, Double Miltered Corner

Product No: 405083000



Best Block Concrete Masonry Units are available in 30, 45, and 60 degree angles in a variety shapes and sizes for what your project requires. Additional shapes, angles and chamfers available upon request. [Contact](#) your Best Block representative for special requests and additional options.

- Available in medium, normal, and light-weight varieties
- Competively priced and produced locally.
- Concrete blocks are naturally fire-resistant, highly durable, and its mass creates energy-efficient wall systems.
- Item weight and pallet count may vary by location.
- [Contact](#) your Best Block representative for more information.

Unit(s)

Product No.	405083000
Weight/Block:	60
Block/Pallet:	60
Pallet Weight:	3660