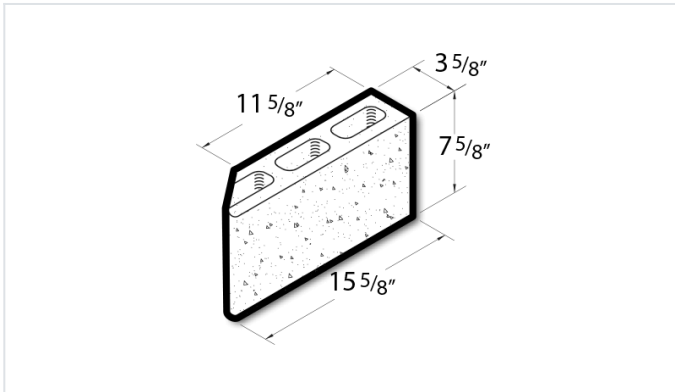


**4x8x16 Regular, 1 Faced, Miltered Corner**

**Product No: 405082000AC**



Best Block Concrete Masonry Units are available in 30, 45, and 60 degree angles in a variety shapes and sizes for what your project requires. Additional shapes, angles and chamfers available upon request. [Contact](#) your Best Block representative for special requests and additional options.

- Available in medium, normal, and light-weight varieties
- Competively priced and produced locally.
- Concrete blocks are naturally fire-resistant, highly durable, and its mass creates energy-efficient wall systems.
- Item weight and pallet count may vary by location.
- [Contact](#) your Best Block representative for more information.

**Unit(s)**

<b>Product No.</b>	405082000AC
<b>Weight/Block:</b>	22
<b>Block/Pallet:</b>	144
<b>Pallet Weight:</b>	3228