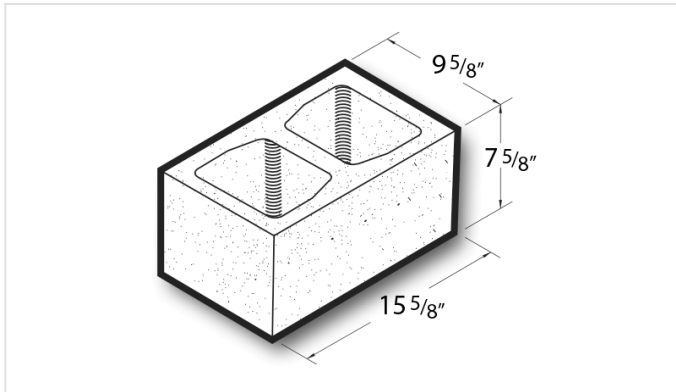


10x8x16 Regular/DbI Jamb Block

Product No: 101000100



10x8x16 Regular/Double Jamb Block is a standard concrete masonry unit (CMU) that exceeds ASTM C90 standard specifications in all weight classifications. [Contact](#) your Best Block representative for special requests and additional options.

- Available in medium, normal, and light-weight varieties
- Competitively priced and produced locally.
- Concrete blocks are naturally fire-resistant, highly durable, and its mass creates energy-efficient wall systems.
- Item weight and pallet count may vary by location.
- [Contact](#) your Best Block representative for more information.

Unit(s)

| | |
|-----------------------|-----------|
| Product No. | 101000100 |
| Weight/Block: | 44 |
| Block/Pallet: | 60 |
| Pallet Weight: | 2640 |