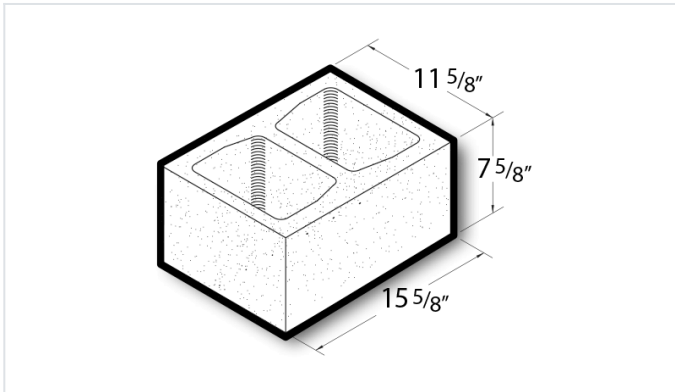


12x8x16 Regular/Dbf Jamb Block

Product No: 121000100



12x8x16 Regular/Dbf Jamb Block is a standard concrete masonry unit (CMU) that exceeds ASTM C90 standard specifications in all weight classifications. [Contact](#) your Best Block representative for special requests and additional options.

- Available in medium, normal, and light-weight varieties
- Competitively priced and produced locally.
- Concrete blocks are naturally fire-resistant, highly durable, and its mass creates energy-efficient wall systems.
- Item weight and pallet count may vary by location.
- [Contact](#) your Best Block representative for more information.

Unit(s)

Product No.	121000100
Weight/Block:	50
Block/Pallet:	48
Pallet Weight:	2400