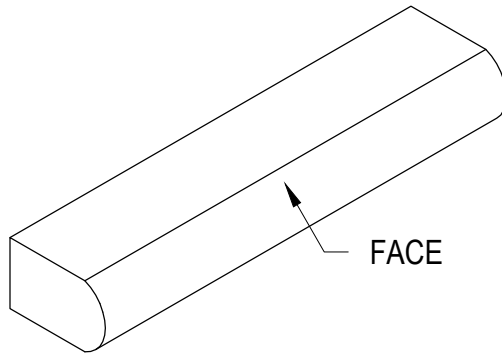
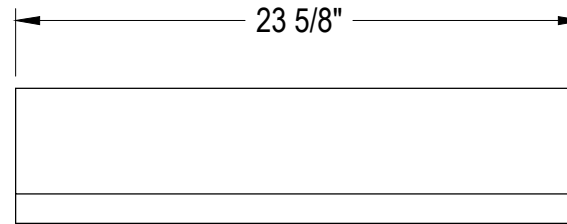


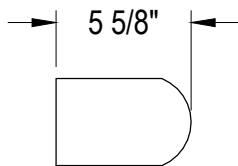
SIDE VIEW  
SIZE OPTIONS



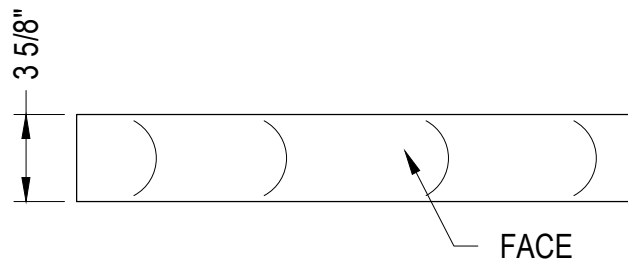
ISOMETRIC VIEW



TOP VIEW



SIDE VIEW



FRONT VIEW

**MANUFACTURER NOTES**

1. ALL UNIT SIZES ARE NOMINAL 3/8" LESS TO ALLOW FOR MORTAR JOINT
2. AVAILABLE IN POLISHED, GROUND, AND TEXTURED FINISHES
3. ALL UNITS MANUFACTURED TO ASTM C-90 SPECIFICATIONS

DISCLAIMER:  
THESE GRAPHICAL REPRESENTATIONS ARE INTENDED FOR PRELIMINARY DESIGN PURPOSES ONLY AND SHOULD NOT BE USED FOR CONSTRUCTION. FINAL DESIGN SHOULD BE APPROVED BY A QUALIFIED, LICENSED PROFESSIONAL ENGINEER.



MAX VENEER  
MASONRY UNITS

BULLNOSE

4" HIGH FULL BULLNOSE

COLOR: \_\_\_\_\_  
FINISH: \_\_\_\_\_  
QUANTITY: \_\_\_\_\_  
SIZE: \_\_\_\_\_

SCALE: 1 1/2" = 1'-0"

DATE: 03/10/2024

5640-028

MANUFACTURER NOTES

1. ALL UNIT SIZES ARE NOMINAL 3/8" LESS TO ALLOW FOR MORTAR JOINT
2. AVAILABLE IN POLISHED, GROUND, AND TEXTURED FINISHES
3. ALL UNITS MANUFACTURED TO ASTM C-90 SPECIFICATIONS

DISCLAIMER:  
THESE GRAPHICAL REPRESENTATIONS ARE INTENDED FOR PRELIMINARY DESIGN PURPOSES ONLY AND SHOULD NOT BE USED FOR CONSTRUCTION. FINAL DESIGN SHOULD BE APPROVED BY A QUALIFIED, LICENSED PROFESSIONAL ENGINEER.

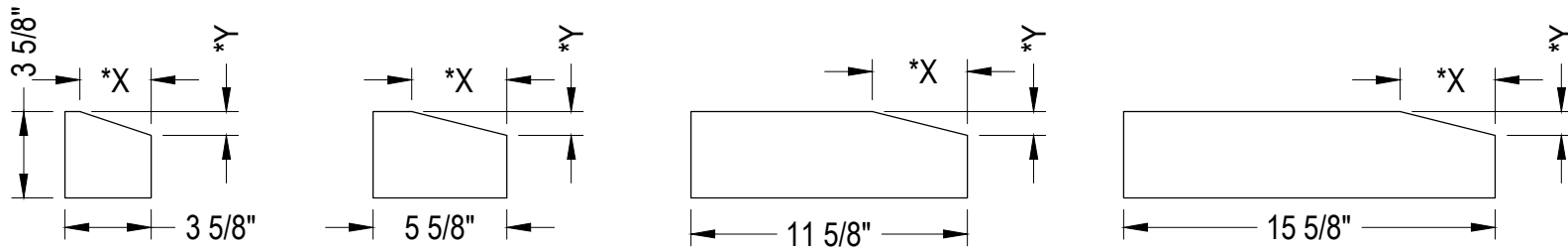


MAX VENEER  
MASONRY UNITS

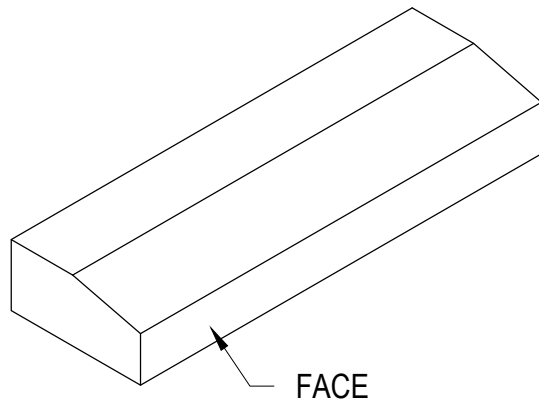
SILLS

4" WINDOW SILL  
TOP FINISHED

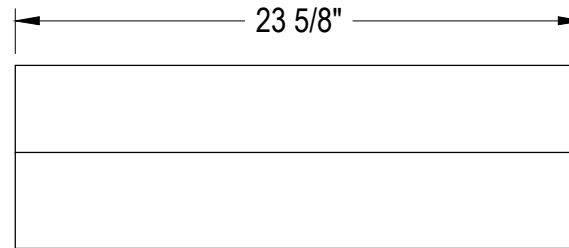
\*X= MAX 4" DEEP  
Y= 1" DEEP



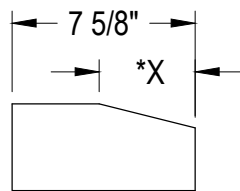
SIZE OPTIONS



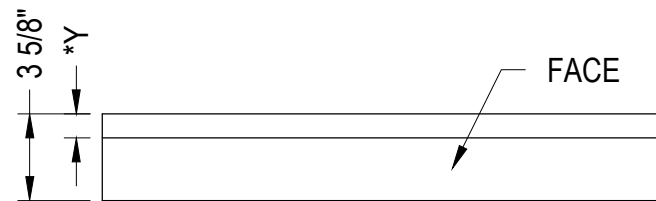
ISOMETRIC VIEW



TOP VIEW



SIDE VIEW



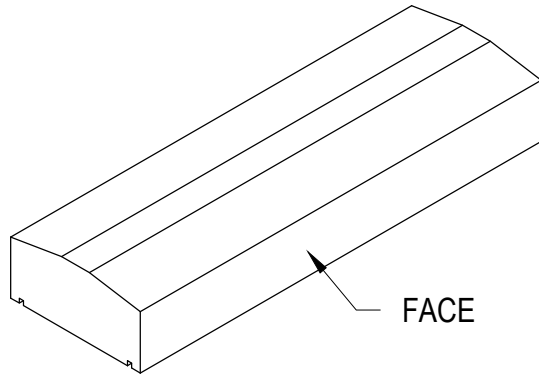
FRONT VIEW

COLOR: \_\_\_\_\_  
FINISH: \_\_\_\_\_  
QUANTITY: \_\_\_\_\_  
SIZE: \_\_\_\_\_

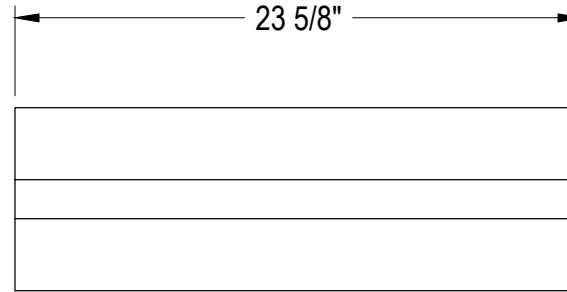
SCALE: 1 1/2" = 1'-0"

DATE: 03/10/2024

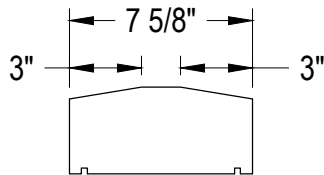
5640-026



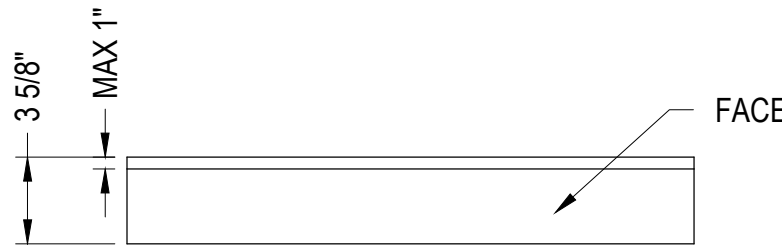
ISOMETRIC VIEW



TOP VIEW



SIDE VIEW



FRONT VIEW

**MANUFACTURER NOTES**

1. ALL UNIT SIZES ARE NOMINAL 3/8" LESS TO ALLOW FOR MORTAR JOINT
2. AVAILABLE IN POLISHED, GROUND, AND TEXTURED FINISHES
3. ALL UNITS MANUFACTURED TO ASTM C-90 SPECIFICATIONS

DISCLAIMER:  
THESE GRAPHICAL REPRESENTATIONS ARE INTENDED FOR PRELIMINARY DESIGN PURPOSES ONLY AND SHOULD NOT BE USED FOR CONSTRUCTION. FINAL DESIGN SHOULD BE APPROVED BY A QUALIFIED, LICENSED PROFESSIONAL ENGINEER.



MAX VENEER  
MASONRY UNITS

COPING SHAPES

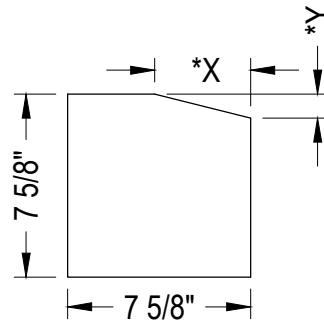
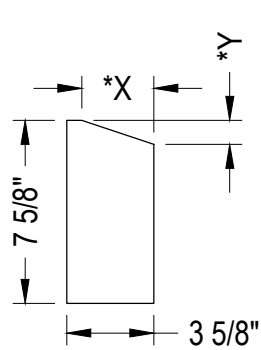
7 5/8" WIDE

COLOR: \_\_\_\_\_  
FINISH: \_\_\_\_\_  
QUANTITY: \_\_\_\_\_

**SCALE:** 1 1/2" = 1'-0"

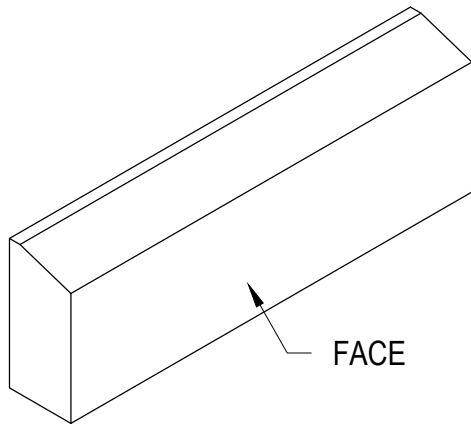
**DATE:** 03/10/2024

5640-043

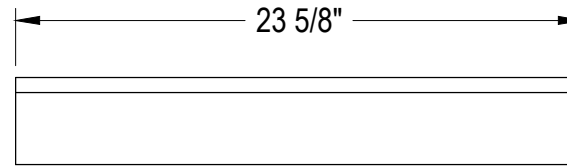


\*X= MAX 4" DEEP  
Y= 1" DEEP

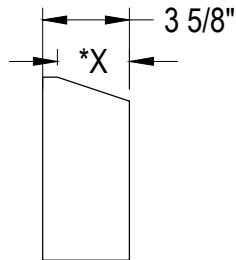
SIZE OPTIONS



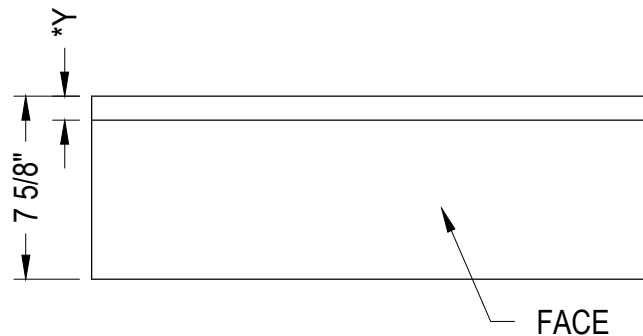
ISOMETRIC VIEW



TOP VIEW



SIDE VIEW



FRONT VIEW

MANUFACTURER NOTES

1. ALL UNIT SIZES ARE NOMINAL 3/8" LESS TO ALLOW FOR MORTAR JOINT
2. AVAILABLE IN POLISHED, GROUND, AND TEXTURED FINISHES
3. ALL UNITS MANUFACTURED TO ASTM C-90 SPECIFICATIONS

DISCLAIMER:  
THESE GRAPHICAL REPRESENTATIONS ARE INTENDED FOR PRELIMINARY DESIGN PURPOSES ONLY AND SHOULD NOT BE USED FOR CONSTRUCTION. FINAL DESIGN SHOULD BE APPROVED BY A QUALIFIED, LICENSED PROFESSIONAL ENGINEER.



MAX VENEER  
MASONRY UNITS

SILLS

8" WINDOW SILL  
TOP FINISHED

COLOR: \_\_\_\_\_  
FINISH: \_\_\_\_\_  
QUANTITY: \_\_\_\_\_  
SIZE: \_\_\_\_\_

SCALE: 1 1/2" = 1'-0"

DATE: 03/10/2024

5640-027

MANUFACTURER NOTES

1. ALL UNIT SIZES ARE NOMINAL 3/8" LESS TO ALLOW FOR MORTAR JOINT
2. AVAILABLE IN POLISHED, GROUND, AND TEXTURED FINISHES
3. ALL UNITS MANUFACTURED TO ASTM C-90 SPECIFICATIONS

DISCLAIMER:  
 THESE GRAPHICAL REPRESENTATIONS ARE INTENDED FOR PRELIMINARY DESIGN PURPOSES ONLY AND SHOULD NOT BE USED FOR CONSTRUCTION. FINAL DESIGN SHOULD BE APPROVED BY A QUALIFIED, LICENSED PROFESSIONAL ENGINEER.



MAX VENEER  
 MASONRY UNITS

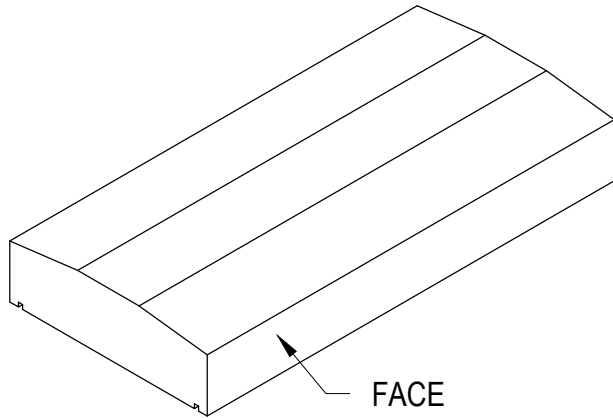
COPING SHAPES

12" WIDE

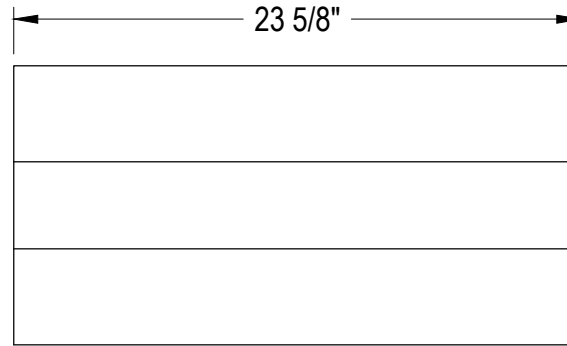
SCALE: 1 1/2" = 1'-0"

DATE: 03/10/2024

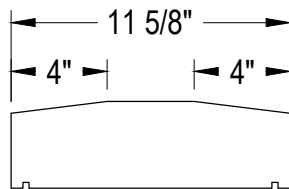
5640-029



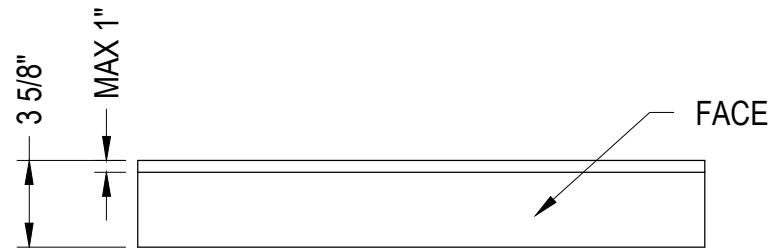
ISOMETRIC VIEW



TOP VIEW



SIDE VIEW

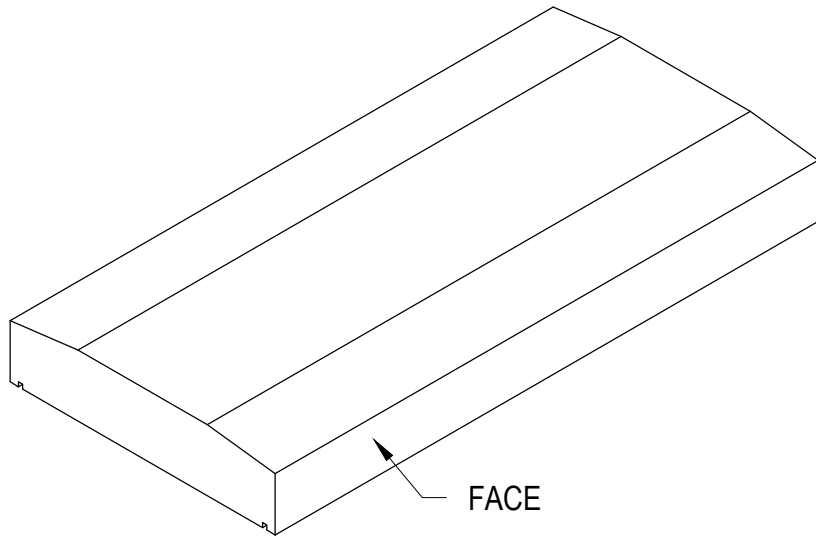


FRONT VIEW

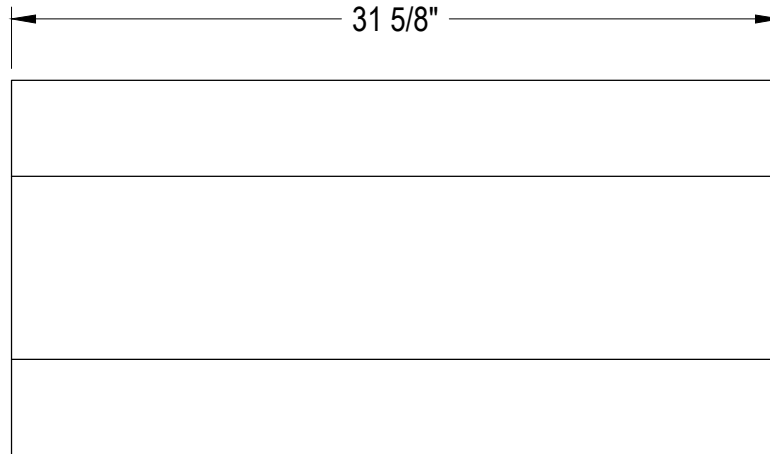
COLOR: \_\_\_\_\_

FINISH: \_\_\_\_\_

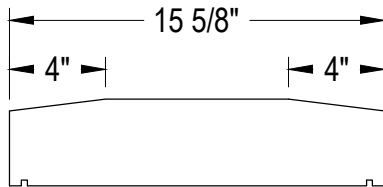
QUANTITY: \_\_\_\_\_



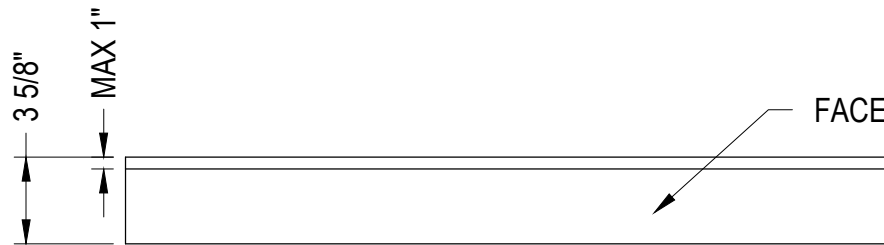
ISOMETRIC VIEW



TOP VIEW



SIDE VIEW



FRONT VIEW

MANUFACTURER NOTES

1. ALL UNIT SIZES ARE NOMINAL 3/8" LESS TO ALLOW FOR MORTAR JOINT
2. AVAILABLE IN POLISHED, GROUND, AND TEXTURED FINISHES
3. ALL UNITS MANUFACTURED TO ASTM C-90 SPECIFICATIONS

DISCLAIMER:  
 THESE GRAPHICAL REPRESENTATIONS ARE INTENDED FOR PRELIMINARY DESIGN PURPOSES ONLY AND SHOULD NOT BE USED FOR CONSTRUCTION. FINAL DESIGN SHOULD BE APPROVED BY A QUALIFIED, LICENSED PROFESSIONAL ENGINEER.



MAX VENEER  
 MASONRY UNITS

COPING SHAPES

16" WIDE

COLOR: \_\_\_\_\_  
 FINISH: \_\_\_\_\_  
 QUANTITY: \_\_\_\_\_

SCALE: 1 1/2" = 1'-0"

DATE: 03/10/2024

5640-042

MANUFACTURER NOTES

1. ALL UNIT SIZES ARE NOMINAL 3/8" LESS TO ALLOW FOR MORTAR JOINT
2. AVAILABLE IN POLISHED, GROUND, AND TEXTURED FINISHES
3. ALL UNITS MANUFACTURED TO ASTM C-90 SPECIFICATIONS

DISCLAIMER:  
THESE GRAPHICAL REPRESENTATIONS ARE INTENDED FOR PRELIMINARY DESIGN PURPOSES ONLY AND SHOULD NOT BE USED FOR CONSTRUCTION. FINAL DESIGN SHOULD BE APPROVED BY A QUALIFIED, LICENSED PROFESSIONAL ENGINEER.



MAX VENEER  
MASONRY UNITS

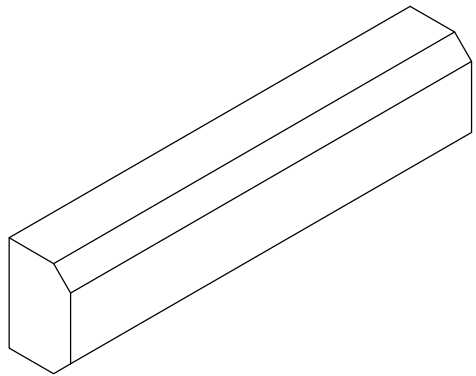
CHAMFER UNITS

DOUBLE CHAMFER AND  
FOUR SIDED CHAMFER

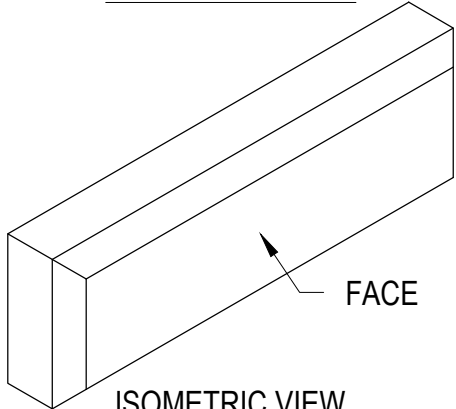
SCALE: 1 1/2" = 1'-0"

DATE: 03/10/2024

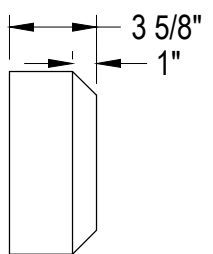
5640-025



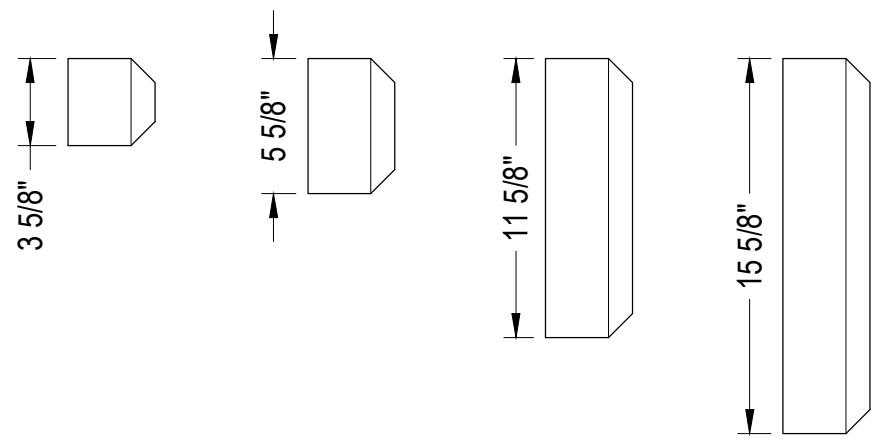
ISOMETRIC VIEW  
2 SIDED CHAMFER



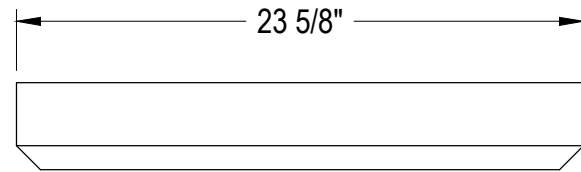
ISOMETRIC VIEW  
4 SIDED CHAMFER



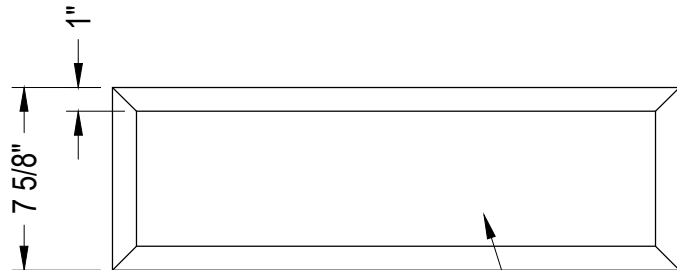
SIDE VIEW



SIZE OPTIONS



TOP VIEW



FRONT VIEW

CHAMFER ANGLE: \_\_\_\_\_  
 SIZE: \_\_\_\_\_  
 # SIDES OF CHAMFER: \_\_\_\_\_

COLOR: \_\_\_\_\_  
 FINISH: \_\_\_\_\_  
 QUANTITY: \_\_\_\_\_

MANUFACTURER NOTES

1. ALL UNIT SIZES ARE NOMINAL 3/8" LESS TO ALLOW FOR MORTAR JOINT
2. AVAILABLE IN POLISHED, GROUND, AND TEXTURED FINISHES
3. CHAMFER ANGLE 45° AND 1" X 1"
4. ALL UNITS MANUFACTURED TO ASTM C-90 SPECIFICATIONS

DISCLAIMER:  
THESE GRAPHICAL REPRESENTATIONS ARE INTENDED FOR PRELIMINARY DESIGN PURPOSES ONLY AND SHOULD NOT BE USED FOR CONSTRUCTION. FINAL DESIGN SHOULD BE APPROVED BY A QUALIFIED, LICENSED PROFESSIONAL ENGINEER.



MAX VENEER  
MASONRY UNITS

CHAMFER UNITS

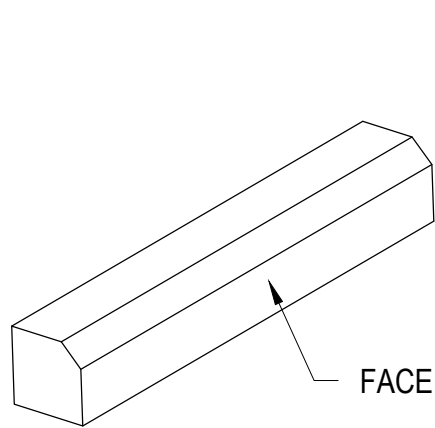
SINGLE CHAMFER

SCALE: 1 1/2" = 1'-0"

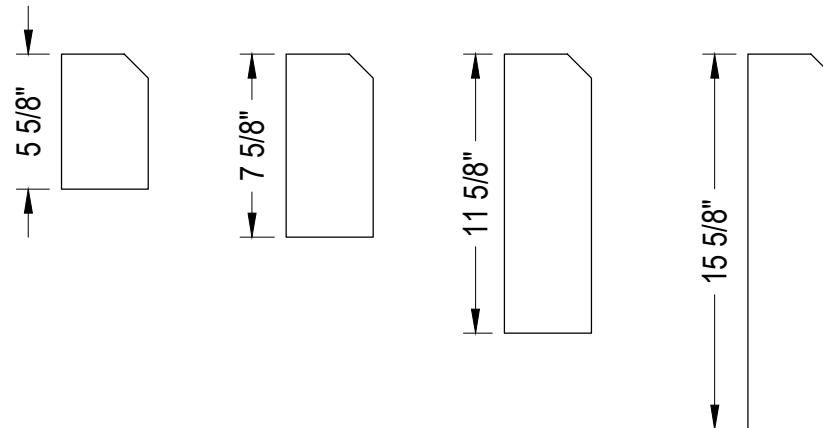
DATE: 03/10/2024

5640-024

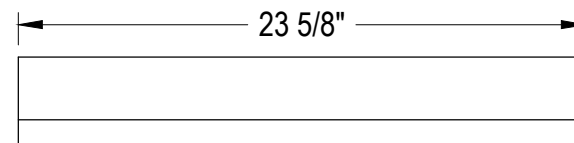
COLOR: \_\_\_\_\_  
FINISH: \_\_\_\_\_  
QUANTITY: \_\_\_\_\_



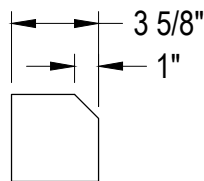
ISOMETRIC VIEW



SIDE VIEW -  
SIZE OPTIONS



TOP VIEW



SIDE VIEW



FRONT VIEW