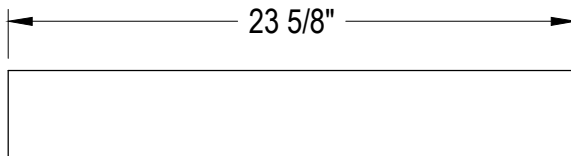
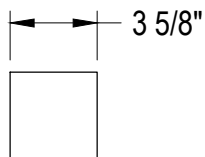


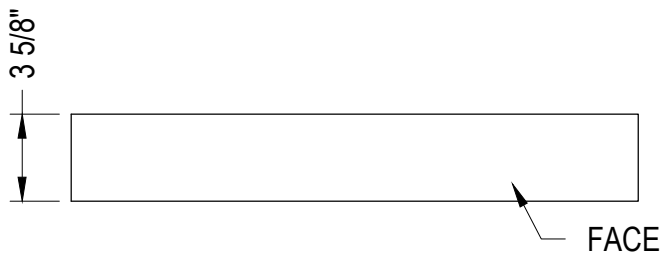
ISOMETRIC VIEW



TOP VIEW



SIDE VIEW



FRONT VIEW

**MANUFACTURER NOTES**

1. ALL UNIT SIZES ARE NOMINAL 3/8" LESS TO ALLOW FOR MORTAR JOINT
2. AVAILABLE IN POLISHED, GROUND AND TEXTURED FINISHES
3. ALL UNITS MANUFACTURED TO ASTM C-90 SPECIFICATIONS

DISCLAIMER:  
 THESE GRAPHICAL REPRESENTATIONS ARE INTENDED FOR PRELIMINARY DESIGN PURPOSES ONLY AND SHOULD NOT BE USED FOR CONSTRUCTION. FINAL DESIGN SHOULD BE APPROVED BY A QUALIFIED, LICENSED PROFESSIONAL ENGINEER.



MAX VENEER  
 MASONRY UNITS

4 X 4 X 24 SOLID BLOCK

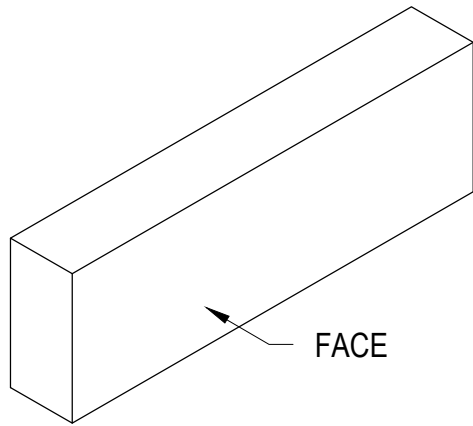
SCALE: 1 1/2" = 1'-0"

COLOR: \_\_\_\_\_  
 FINISH: \_\_\_\_\_  
 QUANTITY: \_\_\_\_\_  
 UNIT WEIGHT: 26 LBS.

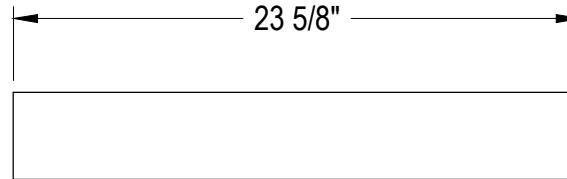
DATE: 03/10/2024

PRODUCT #: 405025000

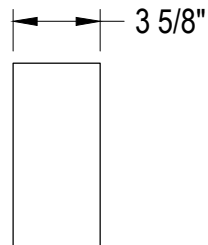
5640-015



ISOMETRIC VIEW



TOP VIEW



SIDE VIEW



FRONT VIEW

**MANUFACTURER NOTES**

1. ALL UNIT SIZES ARE NOMINAL 3/8" LESS TO ALLOW FOR MORTAR JOINT
2. AVAILABLE IN POLISHED, GROUND AND TEXTURED FINISHES
3. ALL UNITS MANUFACTURED TO ASTM C-90 SPECIFICATIONS

DISCLAIMER:  
THESE GRAPHICAL REPRESENTATIONS ARE INTENDED FOR PRELIMINARY DESIGN PURPOSES ONLY AND SHOULD NOT BE USED FOR CONSTRUCTION. FINAL DESIGN SHOULD BE APPROVED BY A QUALIFIED, LICENSED PROFESSIONAL ENGINEER.



MAX VENEER  
MASONRY UNITS

4 X 8 X 24 SOLID BLOCK

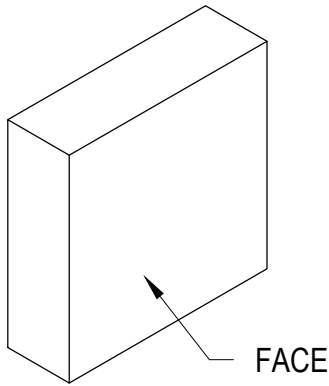
SCALE: 1 1/2" = 1'-0"

DATE: 03/10/2024

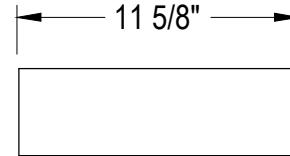
PRODUCT #: 405028000

5640-016

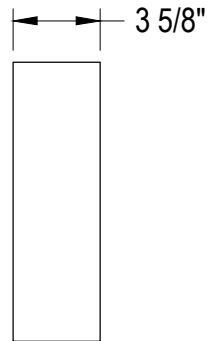
COLOR: \_\_\_\_\_  
FINISH: \_\_\_\_\_  
QUANTITY: \_\_\_\_\_  
UNIT WEIGHT: 52 LBS.



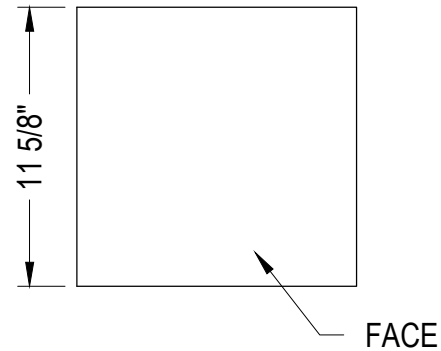
ISOMETRIC VIEW



TOP VIEW



SIDE VIEW



FRONT VIEW

**MANUFACTURER NOTES**

1. ALL UNIT SIZES ARE NOMINAL 3/8" LESS TO ALLOW FOR MORTAR JOINT
2. AVAILABLE IN POLISHED, GROUND AND TEXTURED FINISHES
3. ALL UNITS MANUFACTURED TO ASTM C-90 SPECIFICATIONS

DISCLAIMER:  
THESE GRAPHICAL REPRESENTATIONS ARE INTENDED FOR PRELIMINARY DESIGN PURPOSES ONLY AND SHOULD NOT BE USED FOR CONSTRUCTION. FINAL DESIGN SHOULD BE APPROVED BY A QUALIFIED, LICENSED PROFESSIONAL ENGINEER.



MAX VENEER  
MASONRY UNITS

4 X 12 X 12 SOLID BLOCK

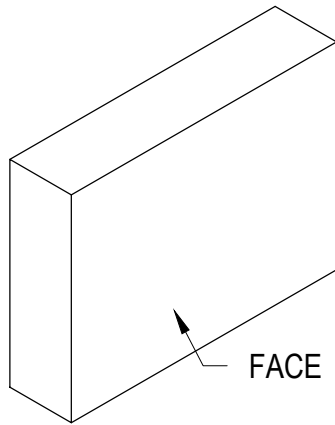
SCALE: 1 1/2" = 1'-0"

COLOR: \_\_\_\_\_  
FINISH: \_\_\_\_\_  
QUANTITY: \_\_\_\_\_  
UNIT WEIGHT: 39 LBS.

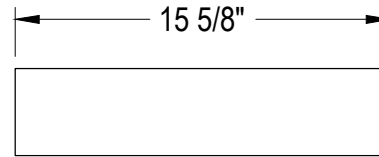
DATE: 03/10/2024

PRODUCT #: 405030000

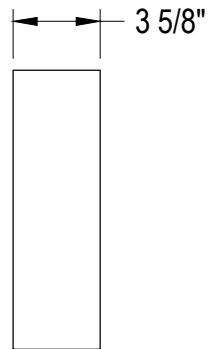
5640-017



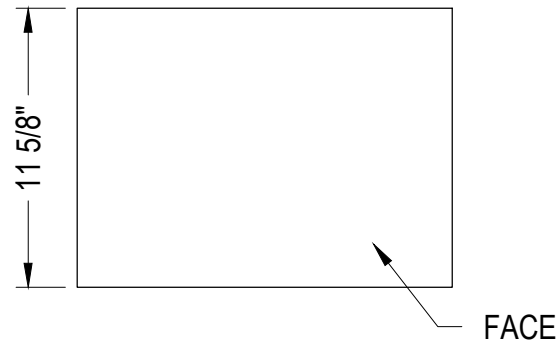
ISOMETRIC VIEW



TOP VIEW



SIDE VIEW



FRONT VIEW

**MANUFACTURER NOTES**

1. ALL UNIT SIZES ARE NOMINAL 3/8" LESS TO ALLOW FOR MORTAR JOINT
2. AVAILABLE IN POLISHED, GROUND AND TEXTURED FINISHES
3. ALL UNITS MANUFACTURED TO ASTM C-90 SPECIFICATIONS

DISCLAIMER:  
THESE GRAPHICAL REPRESENTATIONS ARE INTENDED FOR PRELIMINARY DESIGN PURPOSES ONLY AND SHOULD NOT BE USED FOR CONSTRUCTION. FINAL DESIGN SHOULD BE APPROVED BY A QUALIFIED, LICENSED PROFESSIONAL ENGINEER.



MAX VENEER  
MASONRY UNITS

4 X 12 X 16 SOLID BLOCK

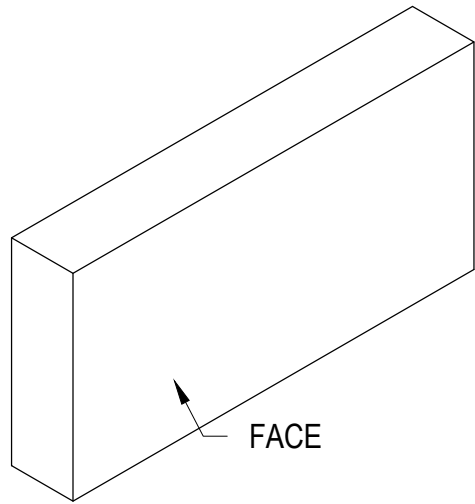
SCALE: 1 1/2" = 1'-0"

COLOR: \_\_\_\_\_  
FINISH: \_\_\_\_\_  
QUANTITY: \_\_\_\_\_  
UNIT WEIGHT: 53 LBS.

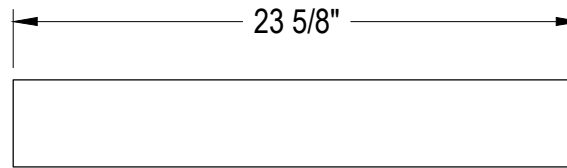
DATE: 03/10/2024

PRODUCT #: 405106000

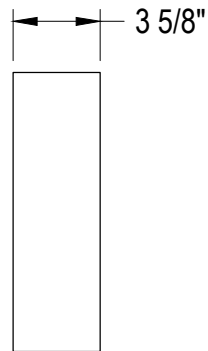
5640-018



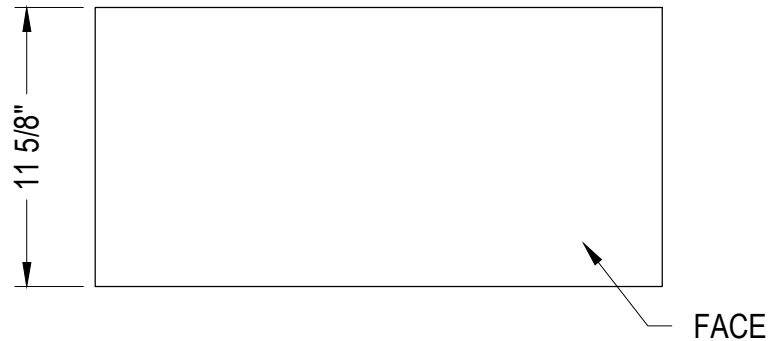
ISOMETRIC VIEW



TOP VIEW



SIDE VIEW



FRONT VIEW

**MANUFACTURER NOTES**

1. ALL UNIT SIZES ARE NOMINAL 3/8" LESS TO ALLOW FOR MORTAR JOINT
2. AVAILABLE IN POLISHED, GROUND AND TEXTURED FINISHES
3. ALL UNITS MANUFACTURED TO ASTM C-90 SPECIFICATIONS

DISCLAIMER:  
 THESE GRAPHICAL REPRESENTATIONS ARE INTENDED FOR PRELIMINARY DESIGN PURPOSES ONLY AND SHOULD NOT BE USED FOR CONSTRUCTION. FINAL DESIGN SHOULD BE APPROVED BY A QUALIFIED, LICENSED PROFESSIONAL ENGINEER.



MAX VENEER  
 MASONRY UNITS

4 X 12 X 24 SOLID BLOCK

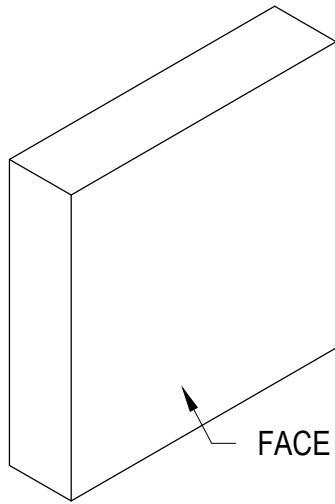
SCALE: 1 1/2" = 1'-0"

DATE: 03/10/2024

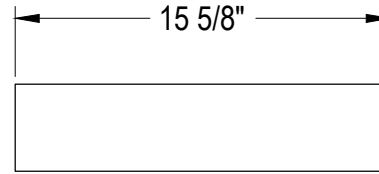
PRODUCT #: 405031000

5640-019

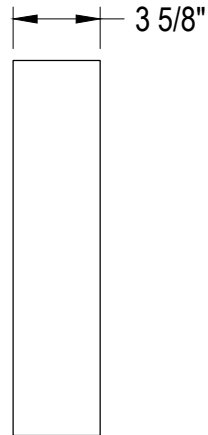
COLOR: \_\_\_\_\_  
 FINISH: \_\_\_\_\_  
 QUANTITY: \_\_\_\_\_  
 UNIT WEIGHT: 78 LBS.



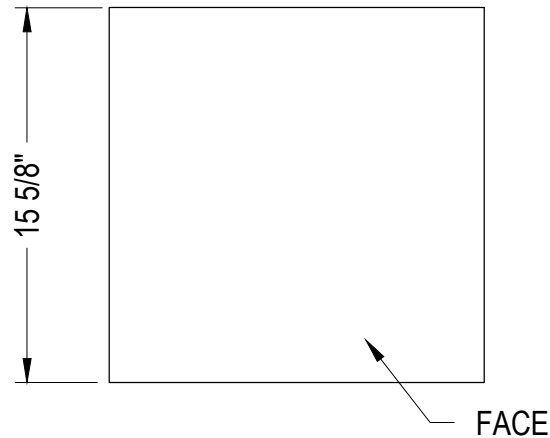
ISOMETRIC VIEW



TOP VIEW



SIDE VIEW



FRONT VIEW

**MANUFACTURER NOTES**

1. ALL UNIT SIZES ARE NOMINAL 3/8" LESS TO ALLOW FOR MORTAR JOINT
2. AVAILABLE IN POLISHED, GROUND AND TEXTURED FINISHES
3. ALL UNITS MANUFACTURED TO ASTM C-90 SPECIFICATIONS

DISCLAIMER:  
THESE GRAPHICAL REPRESENTATIONS ARE INTENDED FOR PRELIMINARY DESIGN PURPOSES ONLY AND SHOULD NOT BE USED FOR CONSTRUCTION. FINAL DESIGN SHOULD BE APPROVED BY A QUALIFIED, LICENSED PROFESSIONAL ENGINEER.



MAX VENEER  
MASONRY UNITS

4 X 16 X 16 SOLID BLOCK

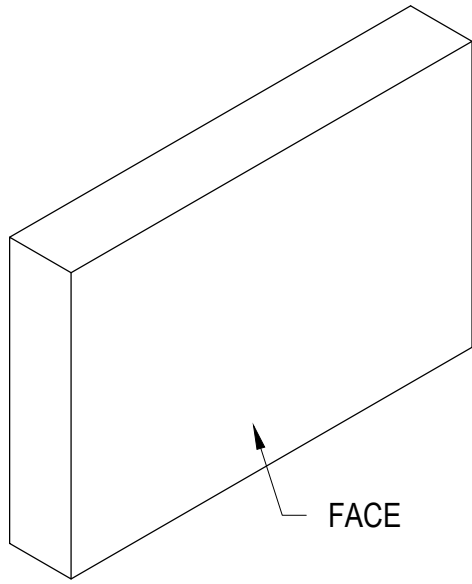
SCALE: 1 1/2" = 1'-0"

DATE: 03/10/2024

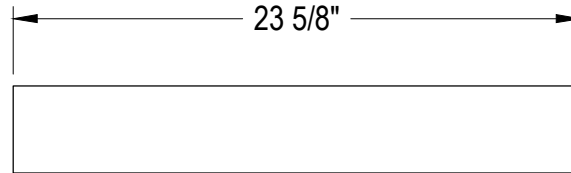
PRODUCT #: 405034000

5640-020

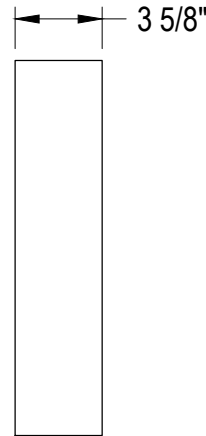
COLOR: \_\_\_\_\_  
FINISH: \_\_\_\_\_  
QUANTITY: \_\_\_\_\_  
UNIT WEIGHT: 69 LBS.



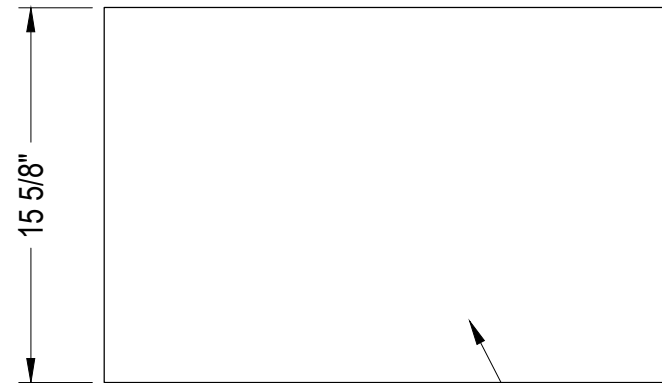
ISOMETRIC VIEW



TOP VIEW



SIDE VIEW



FRONT VIEW

FACE

MANUFACTURER NOTES

1. ALL UNIT SIZES ARE NOMINAL 3/8" LESS TO ALLOW FOR MORTAR JOINT
2. AVAILABLE IN POLISHED, GROUND AND TEXTURED FINISHES
3. ALL UNITS MANUFACTURED TO ASTM C-90 SPECIFICATIONS

DISCLAIMER:  
THESE GRAPHICAL REPRESENTATIONS ARE INTENDED FOR PRELIMINARY DESIGN PURPOSES ONLY AND SHOULD NOT BE USED FOR CONSTRUCTION. FINAL DESIGN SHOULD BE APPROVED BY A QUALIFIED, LICENSED PROFESSIONAL ENGINEER.



MAX VENEER  
MASONRY UNITS

4 X 16 X 24 SOLID BLOCK

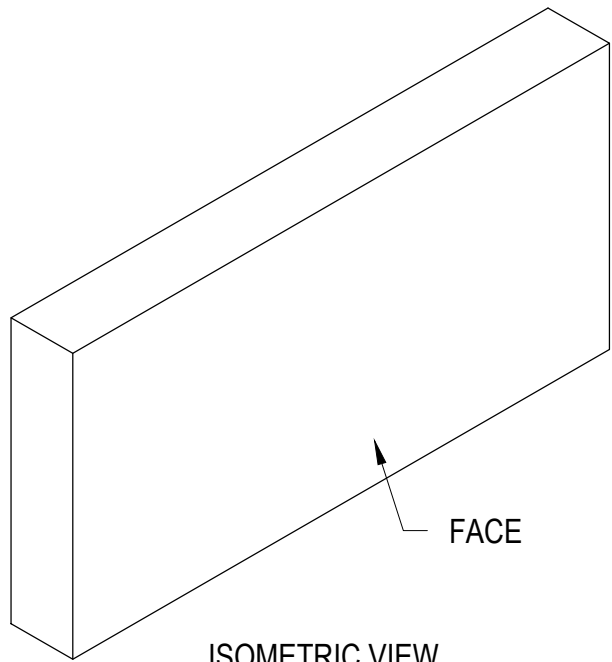
SCALE: 1 1/2" = 1'-0"

DATE: 03/10/2024

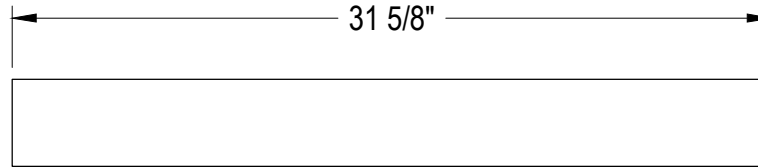
PRODUCT #: 405081000

5640-021

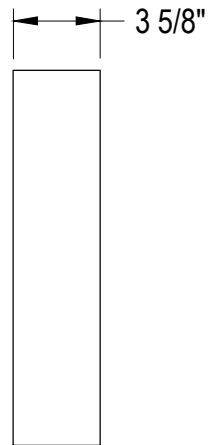
COLOR: \_\_\_\_\_  
FINISH: \_\_\_\_\_  
QUANTITY: \_\_\_\_\_  
UNIT WEIGHT: 103 LBS.



ISOMETRIC VIEW



TOP VIEW



SIDE VIEW



FRONT VIEW

MANUFACTURER NOTES

1. ALL UNIT SIZES ARE NOMINAL 3/8" LESS TO ALLOW FOR MORTAR JOINT
2. AVAILABLE IN POLISHED, GROUND AND TEXTURED FINISHES
3. ALL UNITS MANUFACTURED TO ASTM C-90 SPECIFICATIONS

DISCLAIMER:  
THESE GRAPHICAL REPRESENTATIONS ARE INTENDED FOR PRELIMINARY DESIGN PURPOSES ONLY AND SHOULD NOT BE USED FOR CONSTRUCTION. FINAL DESIGN SHOULD BE APPROVED BY A QUALIFIED, LICENSED PROFESSIONAL ENGINEER.



MAX VENEER  
MASONRY UNITS

4 X 16 X 32 SOLID BLOCK

SCALE: 1 1/2" = 1'-0"

COLOR: \_\_\_\_\_  
FINISH: \_\_\_\_\_  
QUANTITY: \_\_\_\_\_  
UNIT WEIGHT: 138 LBS.

DATE: 03/10/2024

PRODUCT #: 405037000

5640-023