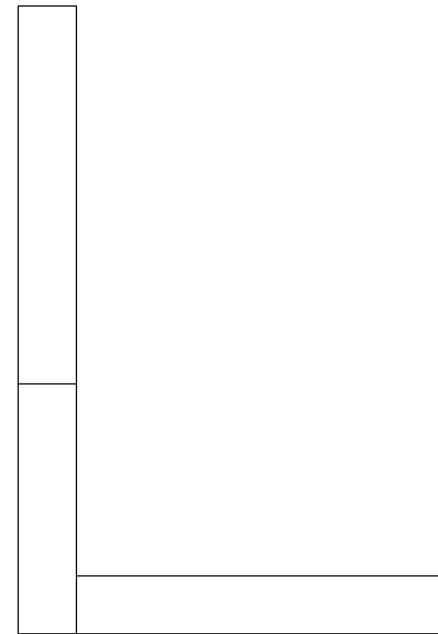
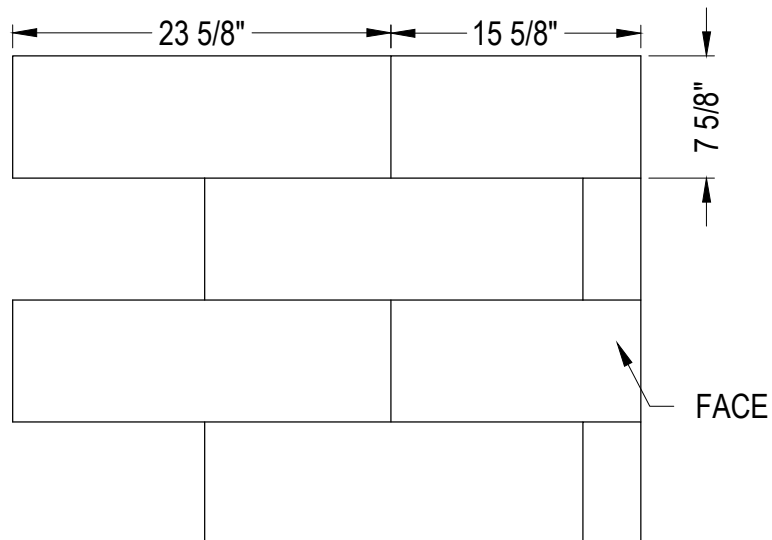


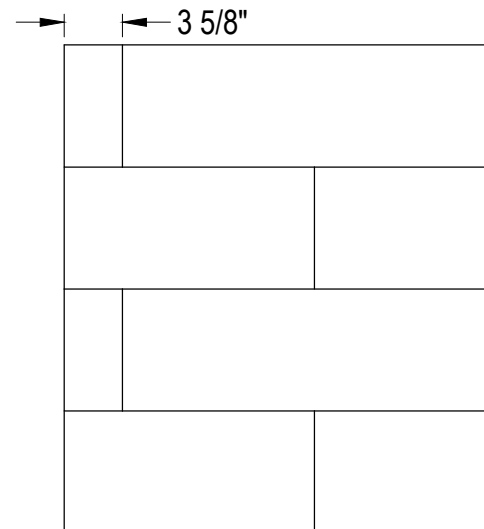
ISOMETRIC VIEW



TOP VIEW



SIDE VIEW



FRONT VIEW

MANUFACTURER NOTES

1. ALL UNIT SIZES ARE NOMINAL 3/8" LESS TO ALLOW FOR MORTAR JOINT
2. AVAILABLE IN POLISHED, GROUND, AND TEXTURED FINISHES
3. ALL UNITS MANUFACTURED TO ASTM C-90 SPECIFICATIONS

DISCLAIMER:  
 THESE GRAPHICAL REPRESENTATIONS ARE INTENDED FOR PRELIMINARY DESIGN PURPOSES ONLY AND SHOULD NOT BE USED FOR CONSTRUCTION. FINAL DESIGN SHOULD BE APPROVED BY A QUALIFIED, LICENSED PROFESSIONAL ENGINEER.



MAX VENEER MASONRY APPLICATION

CORNER COURSING

COLOR: \_\_\_\_\_  
 FINISH: \_\_\_\_\_  
 QUANTITY: \_\_\_\_\_

SCALE: 1" = 1'-0"

DATE: 03/10/2024

5640-037

MANUFACTURER NOTES

1. ALL UNIT SIZES ARE NOMINAL 3/8" LESS TO ALLOW FOR MORTAR JOINT
2. AVAILABLE IN POLISHED, GROUND, AND TEXTURED FINISHES

DISCLAIMER:  
THESE GRAPHICAL REPRESENTATIONS ARE INTENDED FOR PRELIMINARY DESIGN PURPOSES ONLY AND SHOULD NOT BE USED FOR CONSTRUCTION. FINAL DESIGN SHOULD BE APPROVED BY A QUALIFIED, LICENSED PROFESSIONAL ENGINEER.



MAX VENEER MASONRY APPLICATION

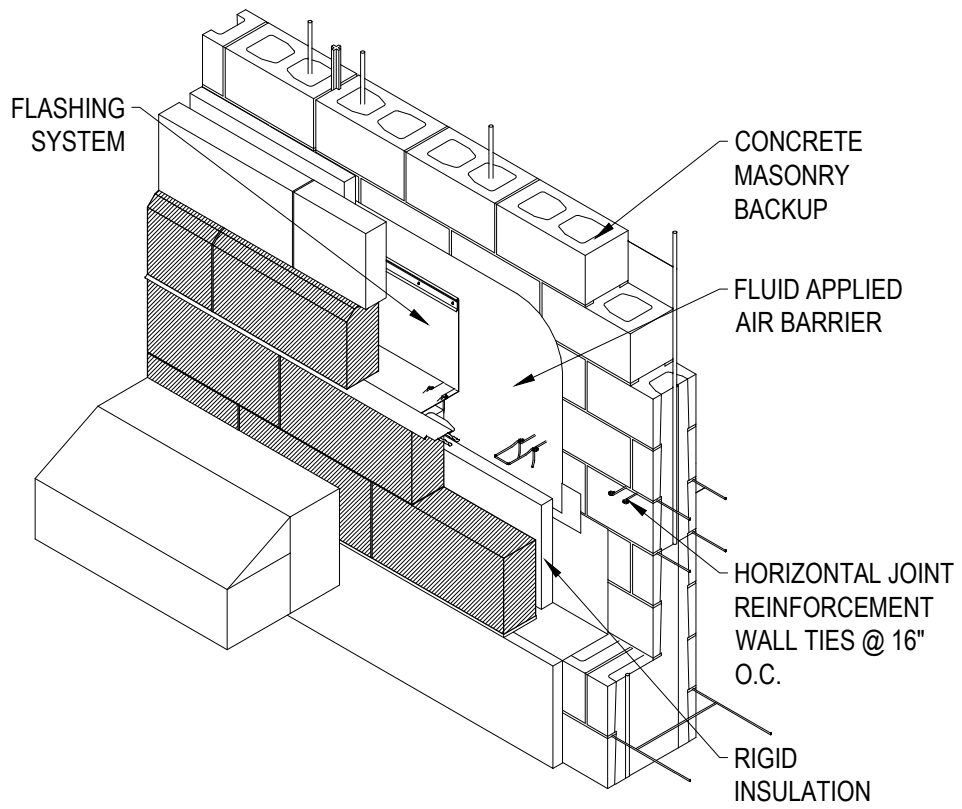
BASE OF WALL

WAINSCOT

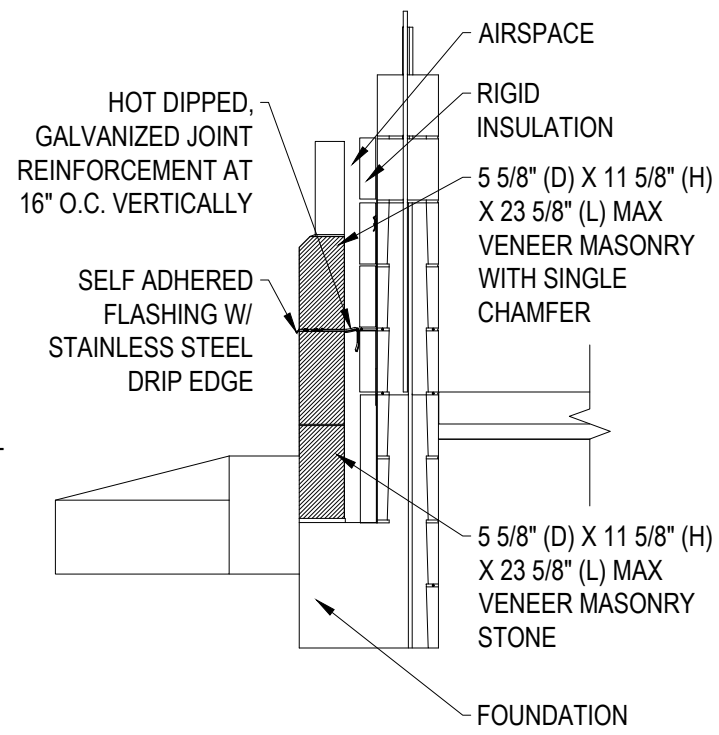
SCALE: 1/2" = 1'-0"

DATE: 03/10/2024

5640-034



ISOMETRIC VIEW



SECTION VIEW

COLOR: \_\_\_\_\_  
 FINISH: \_\_\_\_\_  
 QUANTITY: \_\_\_\_\_

MANUFACTURER NOTES

1. ALL UNIT SIZES ARE NOMINAL 3/8" LESS TO ALLOW FOR MORTAR JOINT
2. AVAILABLE IN POLISHED, GROUND, AND TEXTURED FINISHES
3. ALL UNITS MANUFACTURED TO ASTM C-90 SPECIFICATIONS

DISCLAIMER:  
 THESE GRAPHICAL REPRESENTATIONS ARE INTENDED FOR PRELIMINARY DESIGN PURPOSES ONLY AND SHOULD NOT BE USED FOR CONSTRUCTION. FINAL DESIGN SHOULD BE APPROVED BY A QUALIFIED, LICENSED PROFESSIONAL ENGINEER.



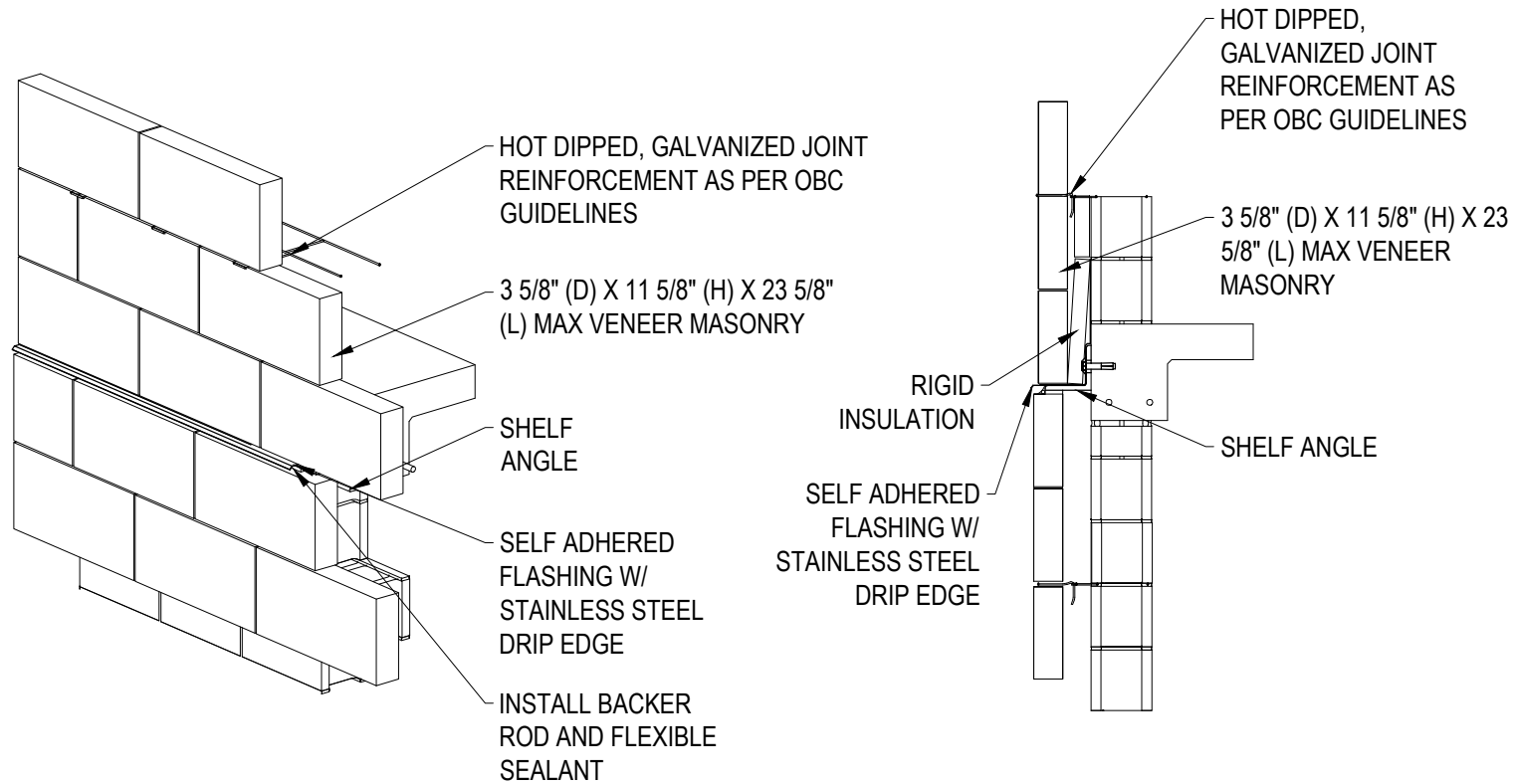
MAX VENEER MASONRY APPLICATION

SHELF ANGLE

SCALE: 1/2" = 1'-0"

DATE: 03/10/2024

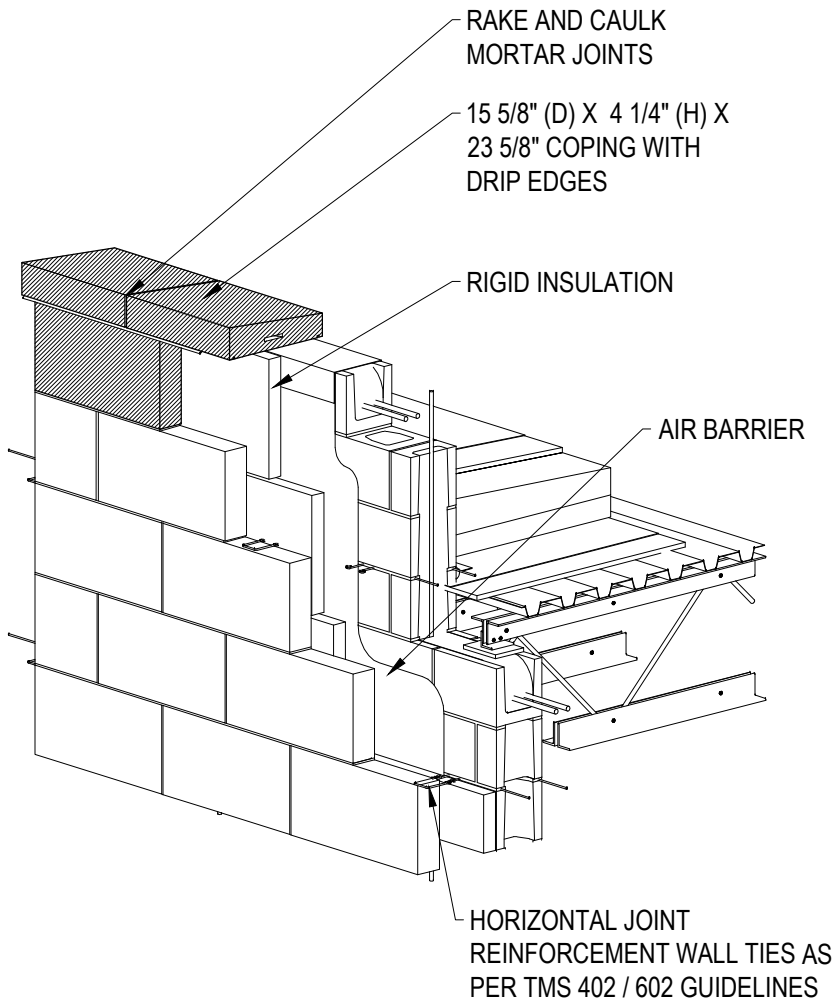
5640-036



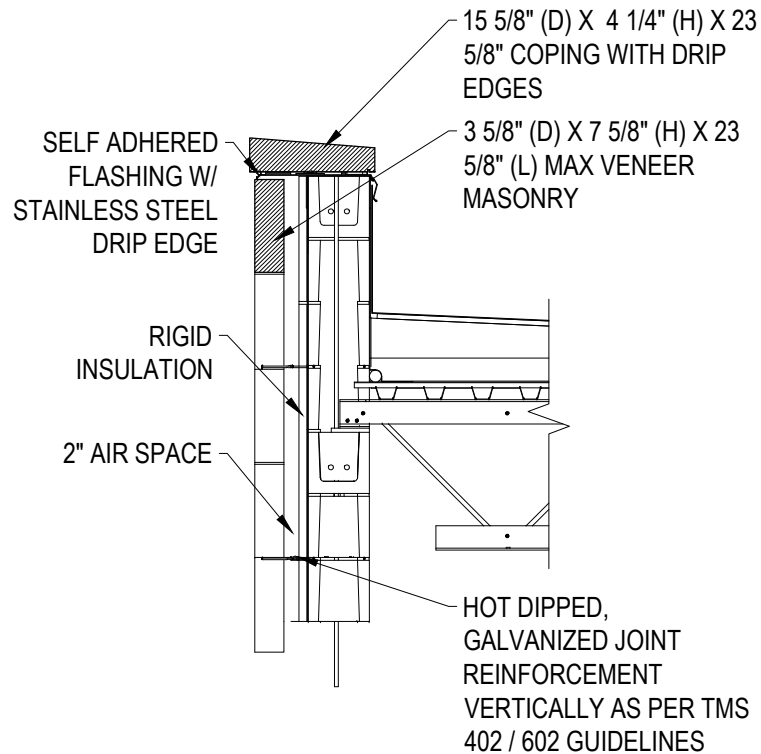
ISOMETRIC VIEW

SECTION VIEW

COLOR: \_\_\_\_\_  
 FINISH: \_\_\_\_\_  
 QUANTITY: \_\_\_\_\_



ISOMETRIC VIEW



SECTION VIEW

MANUFACTURER NOTES

1. ALL UNIT SIZES ARE NOMINAL 3/8" LESS TO ALLOW FOR MORTAR JOINT
2. AVAILABLE IN POLISHED, GROUND, AND TEXTURED FINISHES
3. ALL UNITS MANUFACTURED TO ASTM C-90 SPECIFICATIONS

DISCLAIMER:  
 THESE GRAPHICAL REPRESENTATIONS ARE INTENDED FOR PRELIMINARY DESIGN PURPOSES ONLY AND SHOULD NOT BE USED FOR CONSTRUCTION. FINAL DESIGN SHOULD BE APPROVED BY A QUALIFIED, LICENSED PROFESSIONAL ENGINEER.



MAX VENEER MASONRY APPLICATION

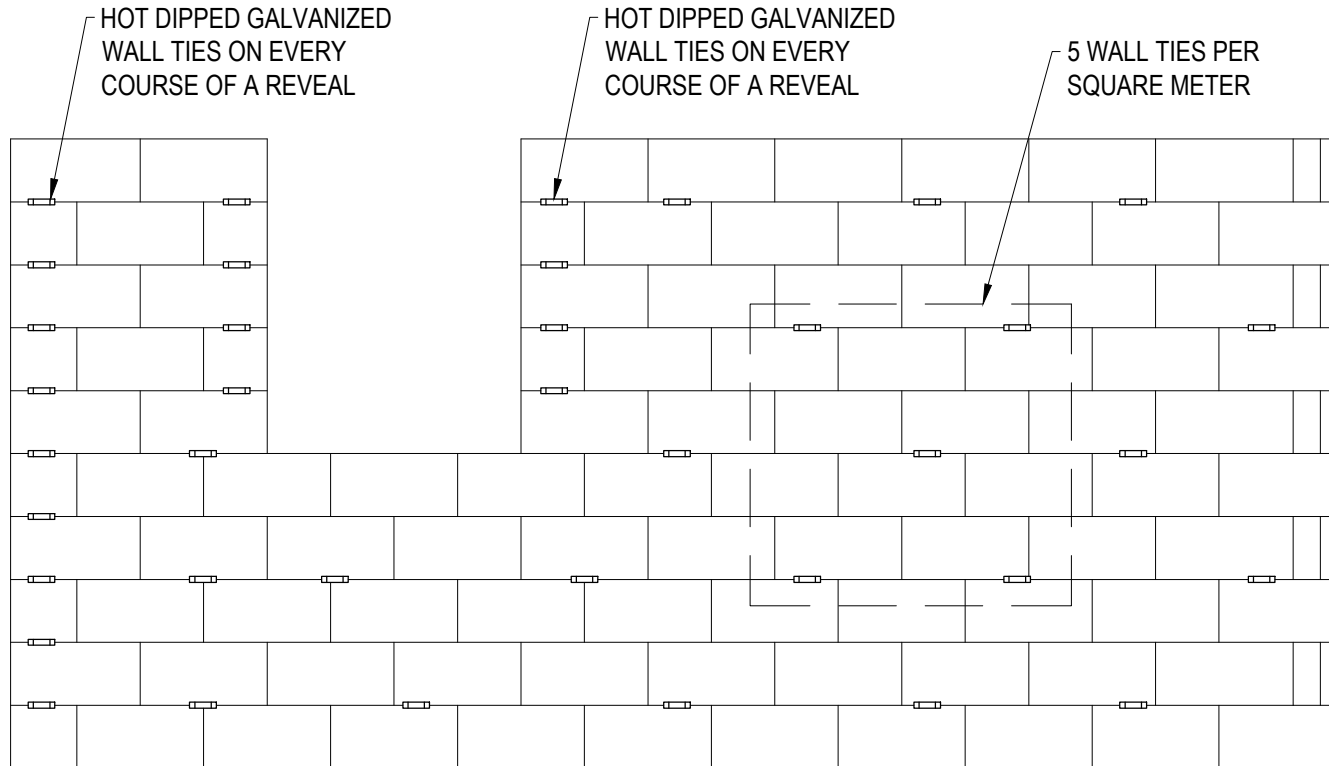
TOP OF WALL

COLOR: \_\_\_\_\_  
 FINISH: \_\_\_\_\_  
 QUANTITY: \_\_\_\_\_

SCALE: 1/2" = 1'-0"

DATE: 03/10/2024

5640-035



ELEVATION VIEW

DISCLAIMER:  
 THESE GRAPHICAL REPRESENTATIONS ARE INTENDED FOR PRELIMINARY DESIGN PURPOSES ONLY AND SHOULD NOT BE USED FOR CONSTRUCTION. FINAL DESIGN SHOULD BE APPROVED BY A QUALIFIED, LICENSED PROFESSIONAL ENGINEER.



**PRESCRIPTIVE SPACING FOR ADJUSTABLE TWO-PIECE MASONRY VENEER TIES PER TMS 402**

| SPACING DESIGNATION            | REQUIREMENT CATEGORY (USE MORE STRINGENT SPACING REQUIREMENT WHERE APPLIES) |   |   |
|--------------------------------|---|---|---|
|                                | GENERAL   | SEISMIC DESIGN CATEGORIES D, E, AND F                 | HIGH WIND   |
| MAXIMUM WALL AREA PER ANCHOR   | 2.67 FT <sup>2</sup>  | 2.00 FT <sup>2</sup> (75% OF GENERAL MAX REQUIREMENT) | 1.87 FT <sup>2</sup> (70% OF GENERAL MAX REQUIREMENT) |
| MAXIMUM HORIZONTAL SPACING     | 32 INCHES   | 32 INCHES   | 18 INCHES   |
| MAXIMUM VERTICAL SPACING       | 25 INCHES   | 25 INCHES   | 18 INCHES   |
| MAXIMUM SPACING AT OPENING     | 36 INCHES   | 36 INCHES   | 24 INCHES   |
| MAXIMUM DISTANCE FROM OPENINGS | 12 INCHES   | 12 INCHES   | 12 INCHES   |

MAX VENEER MASONRY APPLICATION

VENEER ANCHOR LAYOUT

SCALE: N.T.S.

DATE: 03/10/2024

5640-041

MANUFACTURER NOTES

1. ALL UNIT SIZES ARE NOMINAL 3/8" LESS TO ALLOW FOR MORTAR JOINT
2. AVAILABLE IN POLISHED, GROUND, AND TEXTURED FINISHES
3. ALL UNITS MANUFACTURED TO ASTM C-90 SPECIFICATIONS

DISCLAIMER:  
 THESE GRAPHICAL REPRESENTATIONS ARE INTENDED FOR PRELIMINARY DESIGN PURPOSES ONLY AND SHOULD NOT BE USED FOR CONSTRUCTION. FINAL DESIGN SHOULD BE APPROVED BY A QUALIFIED, LICENSED PROFESSIONAL ENGINEER.



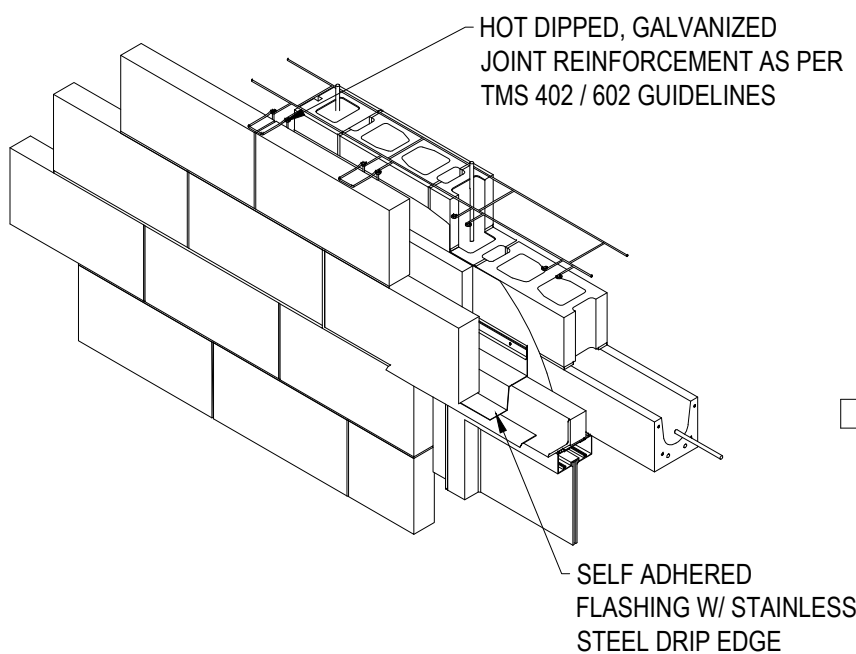
MAX VENEER MASONRY APPLICATION

WINDOW HEAD

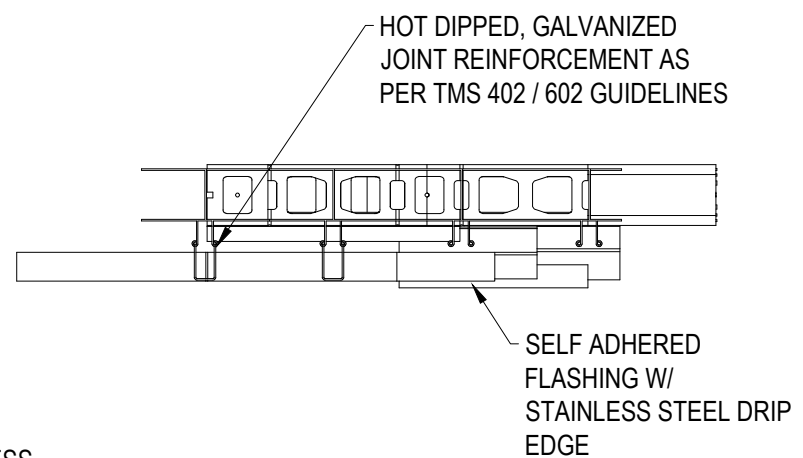
SCALE: 1/2" = 1'-0"

DATE: 03/10/2024

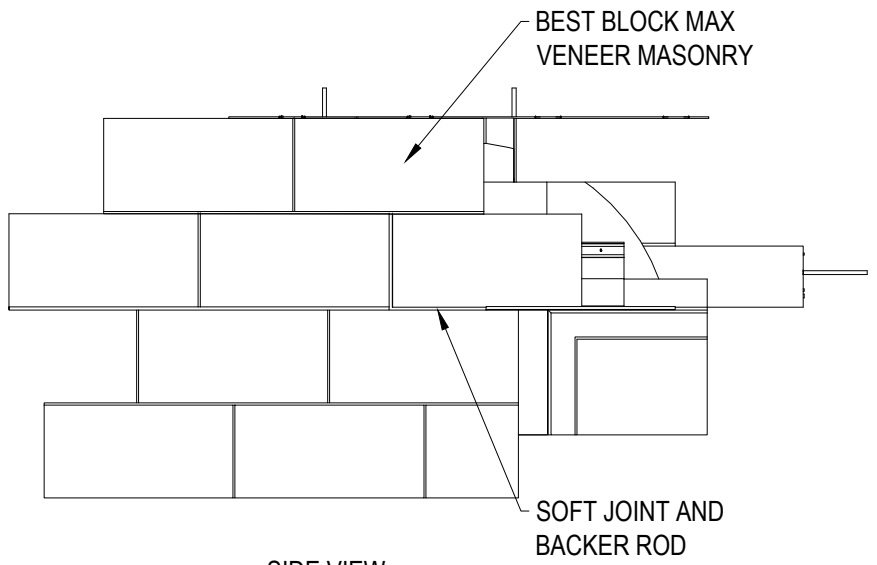
5640-039



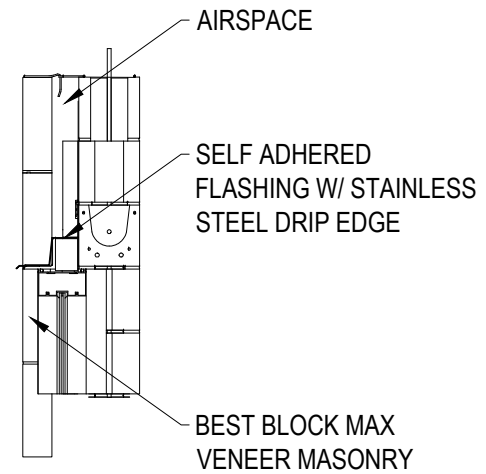
ISOMETRIC VIEW



TOP VIEW



SIDE VIEW



SECTION VIEW

COLOR: \_\_\_\_\_  
 FINISH: \_\_\_\_\_  
 QUANTITY: \_\_\_\_\_

**MANUFACTURER NOTES**

1. ALL UNIT SIZES ARE NOMINAL 3/8" LESS TO ALLOW FOR MORTAR JOINT
2. AVAILABLE IN POLISHED, GROUND, AND TEXTURED FINISHES
3. ALL UNITS MANUFACTURED TO ASTM C-90 SPECIFICATIONS

DISCLAIMER:  
THESE GRAPHICAL REPRESENTATIONS ARE INTENDED FOR PRELIMINARY DESIGN PURPOSES ONLY AND SHOULD NOT BE USED FOR CONSTRUCTION. FINAL DESIGN SHOULD BE APPROVED BY A QUALIFIED, LICENSED PROFESSIONAL ENGINEER.



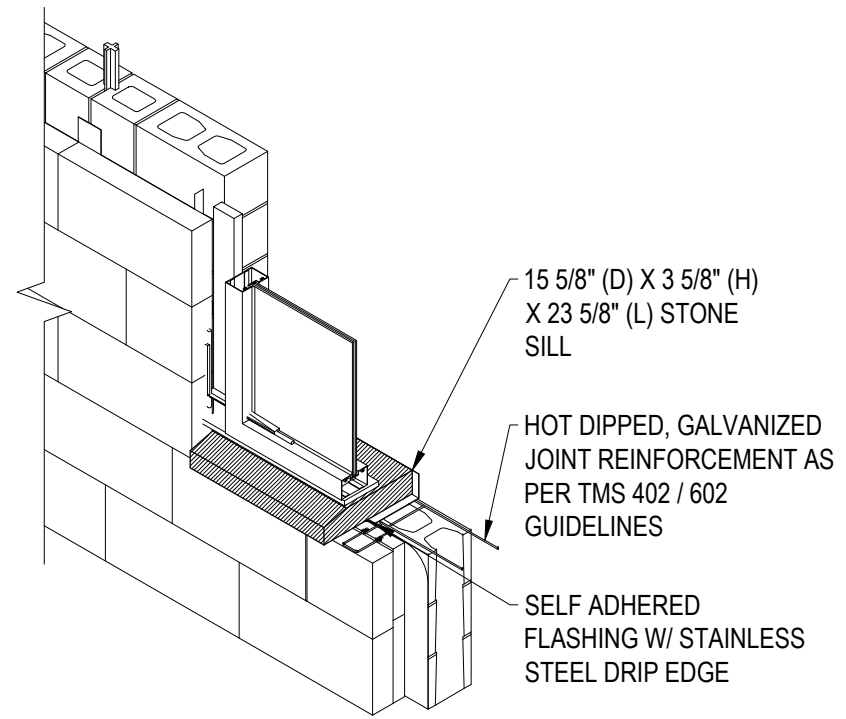
MAX VENEER MASONRY APPLICATION

WINDOW SILLS

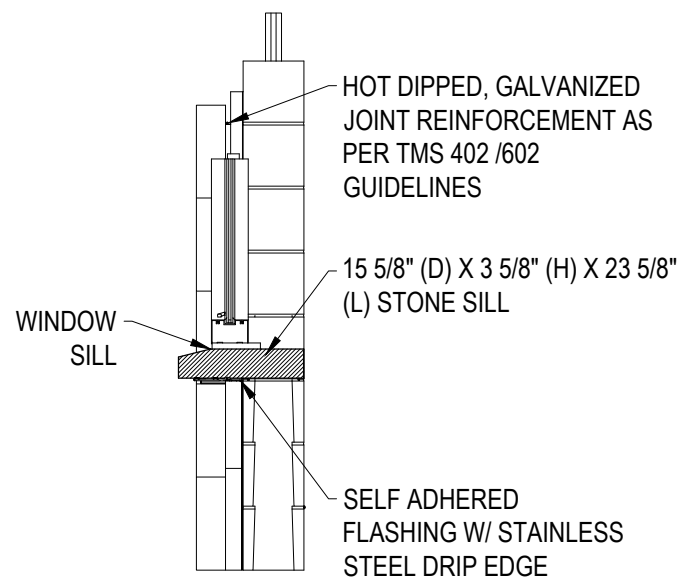
SCALE: 1/2" = 1'-0"

DATE: 03/10/2024

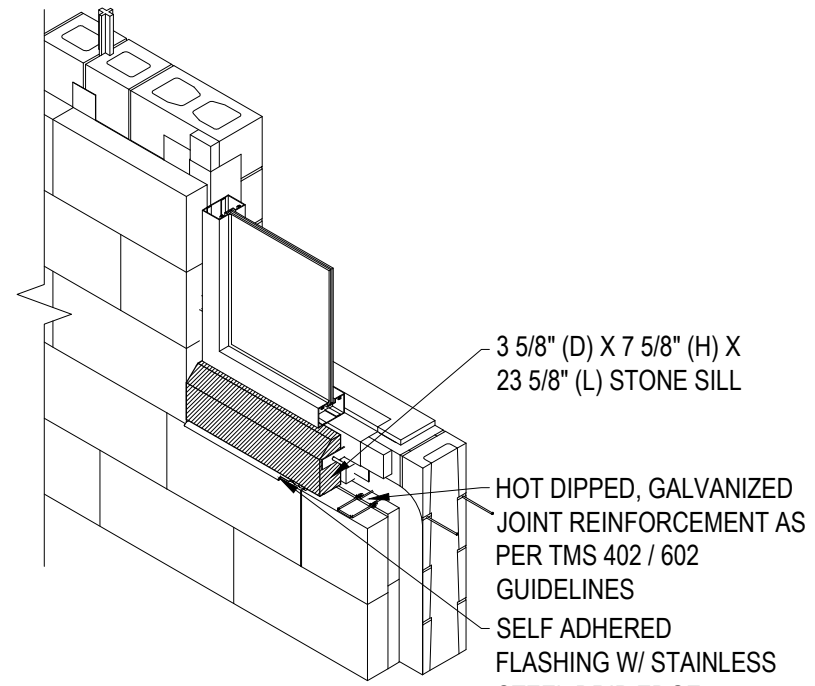
5640-038



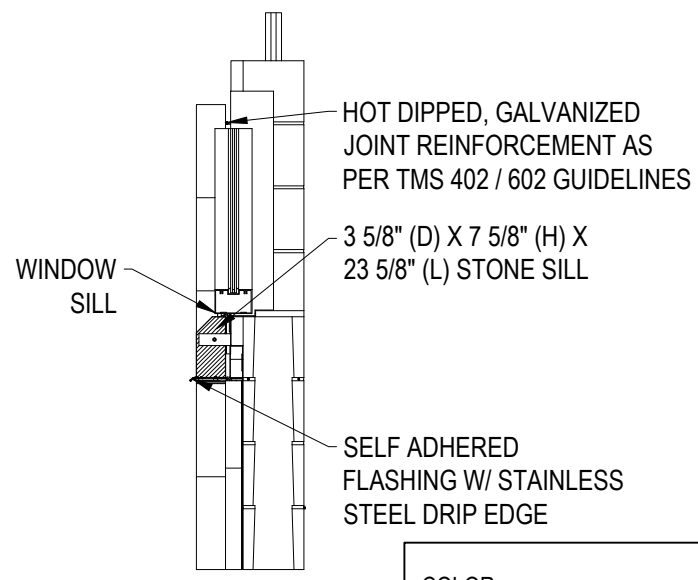
ISOMETRIC VIEW



SECTION VIEW



ISOMETRIC VIEW



SECTION VIEW

COLOR: \_\_\_\_\_  
FINISH: \_\_\_\_\_  
QUANTITY: \_\_\_\_\_

MANUFACTURER NOTES

1. ALL UNIT SIZES ARE NOMINAL 3/8" LESS TO ALLOW FOR MORTAR JOINT
2. AVAILABLE IN POLISHED, GROUND, AND TEXTURED FINISHES
3. ALL UNITS MANUFACTURED TO ASTM C-90 SPECIFICATIONS

DISCLAIMER:  
THESE GRAPHICAL REPRESENTATIONS ARE INTENDED FOR PRELIMINARY DESIGN PURPOSES ONLY AND SHOULD NOT BE USED FOR CONSTRUCTION. FINAL DESIGN SHOULD BE APPROVED BY A QUALIFIED, LICENSED PROFESSIONAL ENGINEER.



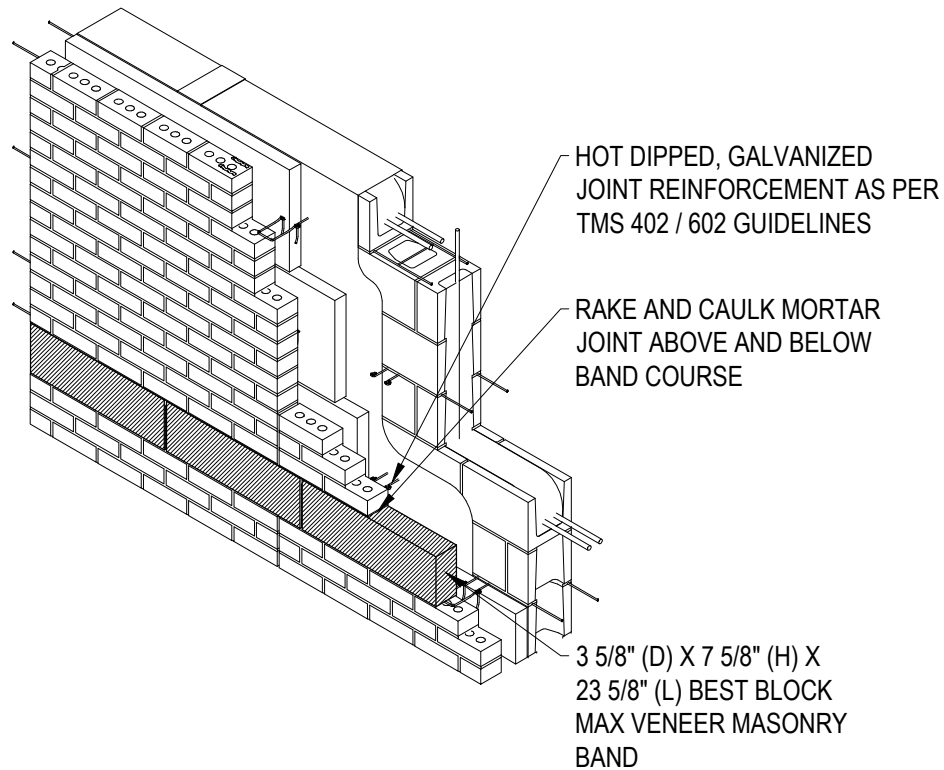
MAX VENEER MASONRY APPLICATION

BANDING

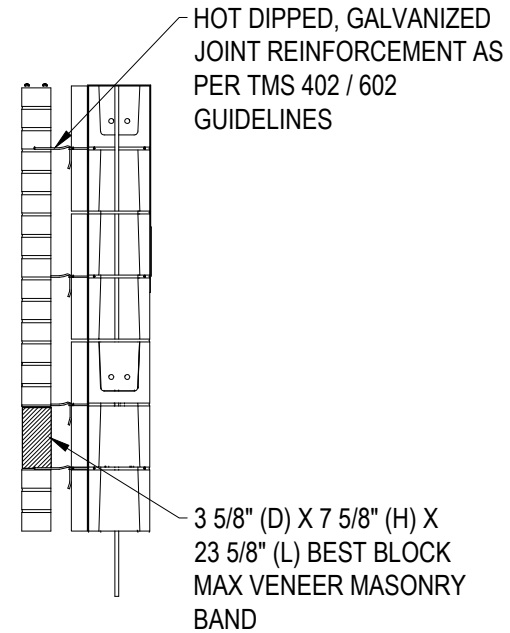
SCALE: 1/2" = 1'-0"

DATE: 03/10/2024

5640-040



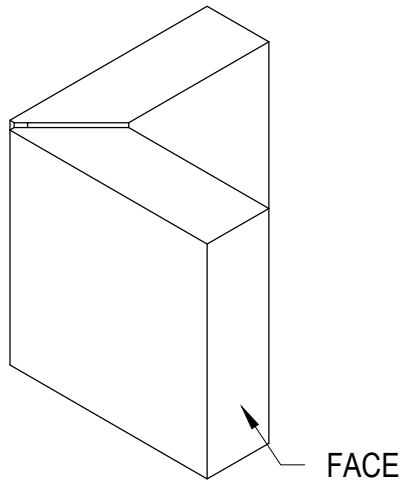
ISOMETRIC VIEW



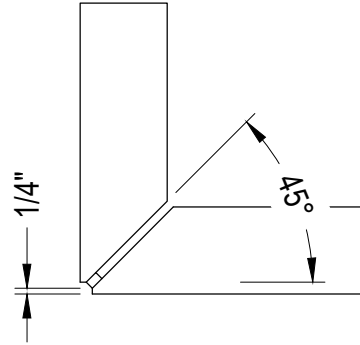
SECTION VIEW

COLOR: \_\_\_\_\_  
FINISH: \_\_\_\_\_  
QUANTITY: \_\_\_\_\_

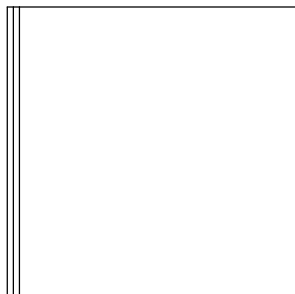




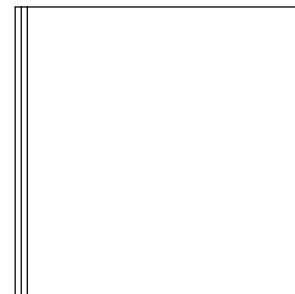
ISOMETRIC VIEW



TOP VIEW



SIDE VIEW



FRONT VIEW

MANUFACTURER NOTES

1. ALL UNIT SIZES ARE NOMINAL 3/8" LESS TO ALLOW FOR MORTAR JOINT
2. AVAILABLE IN POLISHED, GROUND, AND TEXTURED FINISHES
3. ALL UNITS MANUFACTURED TO ASTM C-90 SPECIFICATIONS

DISCLAIMER:  
THESE GRAPHICAL REPRESENTATIONS ARE INTENDED FOR PRELIMINARY DESIGN PURPOSES ONLY AND SHOULD NOT BE USED FOR CONSTRUCTION. FINAL DESIGN SHOULD BE APPROVED BY A QUALIFIED, LICENSED PROFESSIONAL ENGINEER.



MAX VENEER  
MASONRY UNITS

CORNER DETAIL

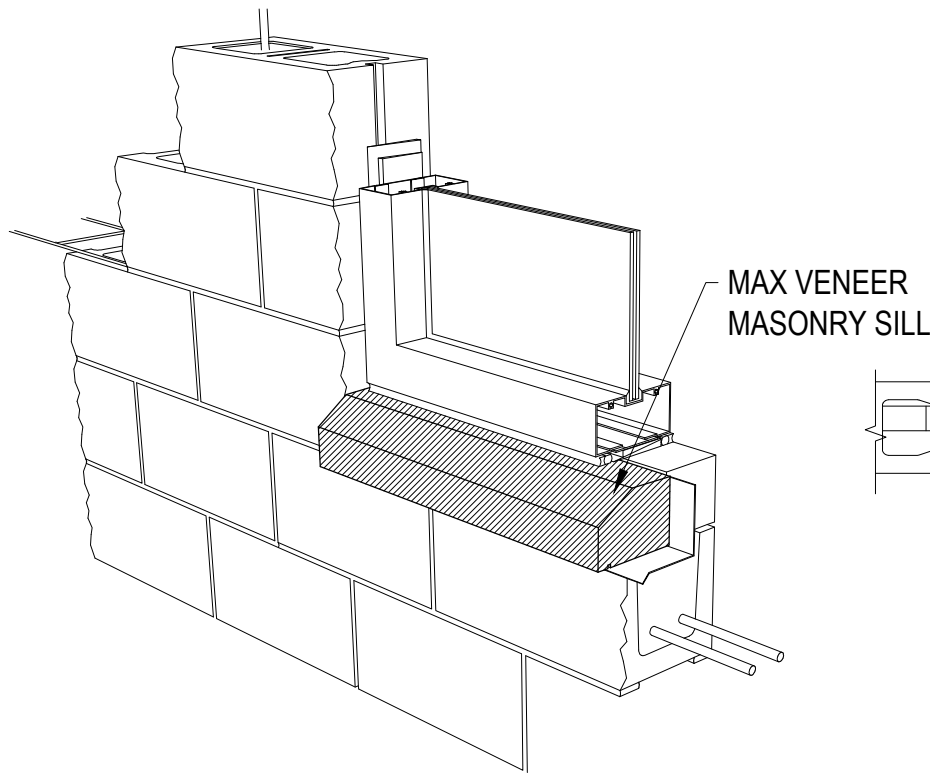
QUIRK MITER 45°

COLOR: \_\_\_\_\_  
FINISH: \_\_\_\_\_  
QUANTITY: \_\_\_\_\_

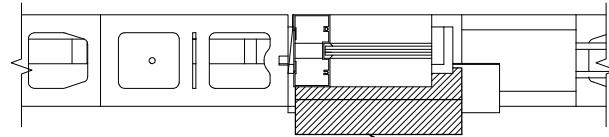
SCALE: 1 1/2" = 1'-0"

DATE: 03/10/2024

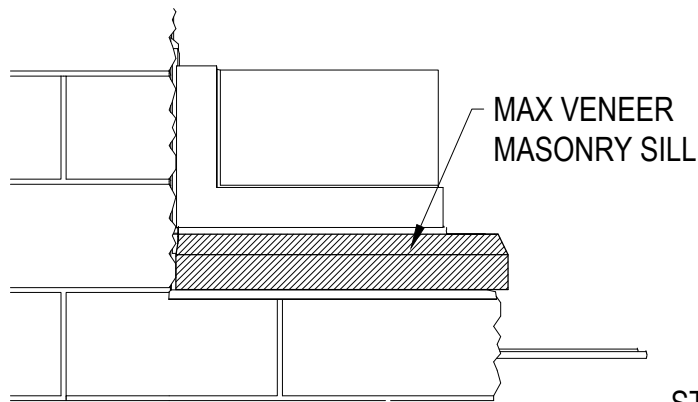
5640-033



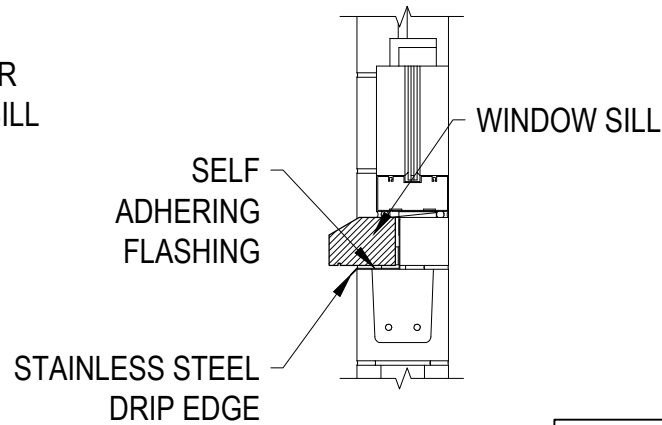
ISOMETRIC VIEW



TOP VIEW



SIDE VIEW



SECTION VIEW

**MANUFACTURER NOTES**

1. ALL UNIT SIZES ARE NOMINAL 3/8" LESS TO ALLOW FOR MORTAR JOINT
2. AVAILABLE IN POLISHED, GROUND, AND TEXTURED FINISHES
3. AVAILABLE IN MEDIUM, NORMAL, AND LIGHTWEIGHT VARIETIES

DISCLAIMER:  
THESE GRAPHICAL REPRESENTATIONS ARE INTENDED FOR PRELIMINARY DESIGN PURPOSES ONLY AND SHOULD NOT BE USED FOR CONSTRUCTION. FINAL DESIGN SHOULD BE APPROVED BY A QUALIFIED, LICENSED PROFESSIONAL ENGINEER.



|                          |
|--------------------------|
| MAX VENEER MASONRY UNITS |
| SILL DETAIL              |
| SINGLE WYTHE WALL        |

COLOR: \_\_\_\_\_  
 FINISH: \_\_\_\_\_  
 QUANTITY: \_\_\_\_\_

|          |              |
|----------|--------------|
| SCALE:   | 3/4" = 1'-0" |
| DATE:    | 03/10/2024   |
| 5640-031 |              |

MANUFACTURER NOTES

1. ALL UNIT SIZES ARE NOMINAL 3/8" LESS TO ALLOW FOR MORTAR JOINT
2. AVAILABLE IN POLISHED, GROUND, AND TEXTURED FINISHES
3. INSTALL 4" LADDER TYPE REINFORCING IN MAX VENEER 16" OR 24" VERTICALLY TO CONTROL MOVEMENT

DISCLAIMER:  
THESE GRAPHICAL REPRESENTATIONS ARE INTENDED FOR PRELIMINARY DESIGN PURPOSES ONLY AND SHOULD NOT BE USED FOR CONSTRUCTION. FINAL DESIGN SHOULD BE APPROVED BY A QUALIFIED, LICENSED PROFESSIONAL ENGINEER.



MAX VENEER  
MASONRY UNITS

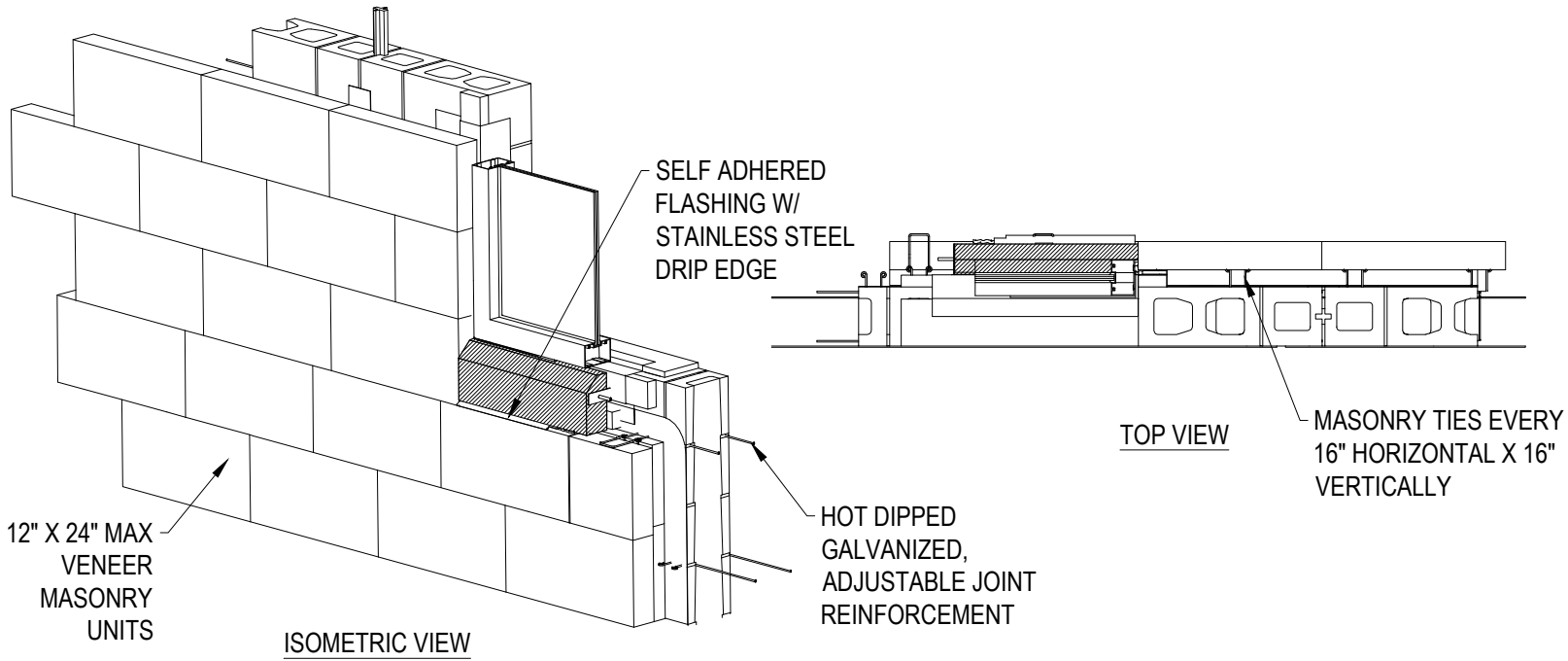
SILL DETAIL

MASONRY VENEER

SCALE: 1/2" = 1'-0"

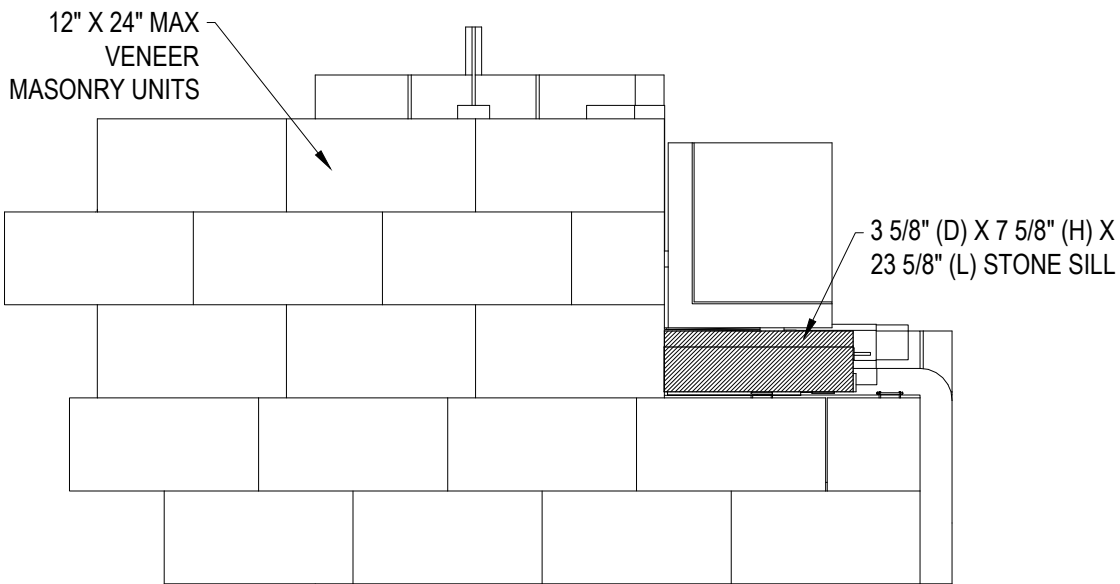
DATE: 03/10/2024

5640-032

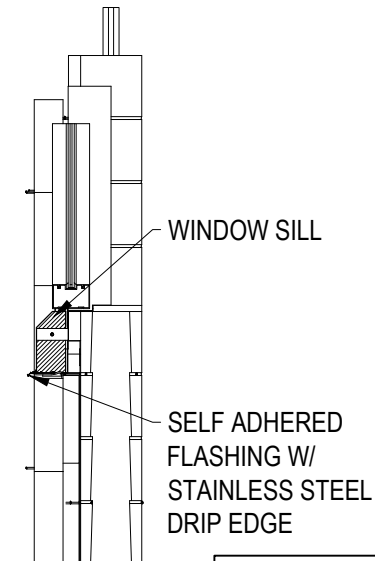


ISOMETRIC VIEW

TOP VIEW

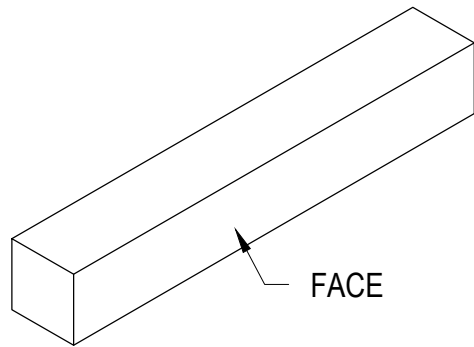


SIDE VIEW

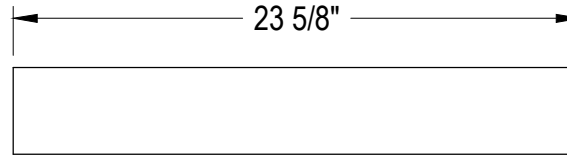


SECTION VIEW

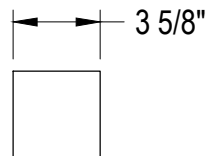
COLOR: \_\_\_\_\_  
FINISH: \_\_\_\_\_  
QUANTITY: \_\_\_\_\_



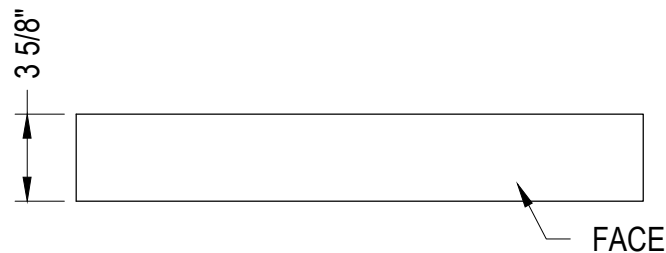
ISOMETRIC VIEW



TOP VIEW



SIDE VIEW



FRONT VIEW

**MANUFACTURER NOTES**

1. ALL UNIT SIZES ARE NOMINAL 3/8" LESS TO ALLOW FOR MORTAR JOINT
2. AVAILABLE IN POLISHED, GROUND AND TEXTURED FINISHES
3. ALL UNITS MANUFACTURED TO ASTM C-90 SPECIFICATIONS

DISCLAIMER:  
THESE GRAPHICAL REPRESENTATIONS ARE INTENDED FOR PRELIMINARY DESIGN PURPOSES ONLY AND SHOULD NOT BE USED FOR CONSTRUCTION. FINAL DESIGN SHOULD BE APPROVED BY A QUALIFIED, LICENSED PROFESSIONAL ENGINEER.



MAX VENEER  
MASONRY UNITS

4 X 4 X 24 SOLID BLOCK

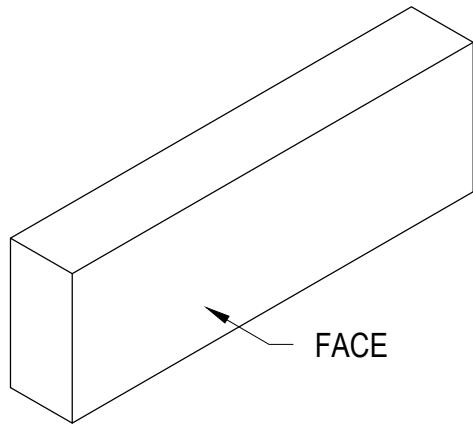
SCALE: 1 1/2" = 1'-0"

COLOR: \_\_\_\_\_  
FINISH: \_\_\_\_\_  
QUANTITY: \_\_\_\_\_  
UNIT WEIGHT: 26 LBS.

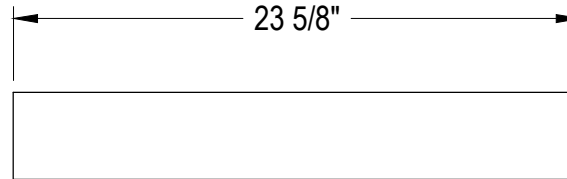
DATE: 03/10/2024

PRODUCT #: 405025000

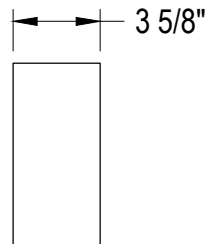
5640-015



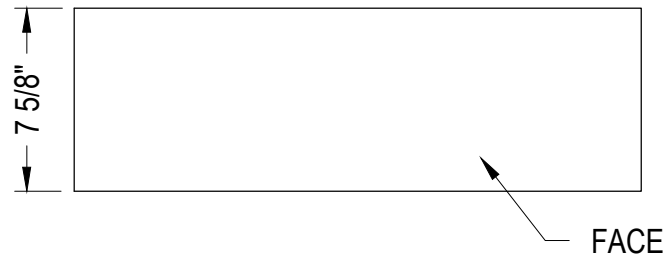
ISOMETRIC VIEW



TOP VIEW



SIDE VIEW



FRONT VIEW

**MANUFACTURER NOTES**

1. ALL UNIT SIZES ARE NOMINAL 3/8" LESS TO ALLOW FOR MORTAR JOINT
2. AVAILABLE IN POLISHED, GROUND AND TEXTURED FINISHES
3. ALL UNITS MANUFACTURED TO ASTM C-90 SPECIFICATIONS

DISCLAIMER:  
 THESE GRAPHICAL REPRESENTATIONS ARE INTENDED FOR PRELIMINARY DESIGN PURPOSES ONLY AND SHOULD NOT BE USED FOR CONSTRUCTION. FINAL DESIGN SHOULD BE APPROVED BY A QUALIFIED, LICENSED PROFESSIONAL ENGINEER.



MAX VENEER  
 MASONRY UNITS

4 X 8 X 24 SOLID BLOCK

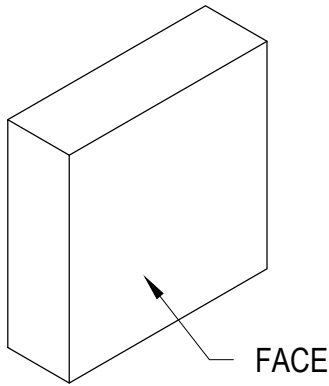
SCALE: 1 1/2" = 1'-0"

DATE: 03/10/2024

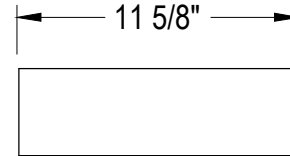
PRODUCT #: 405028000

5640-016

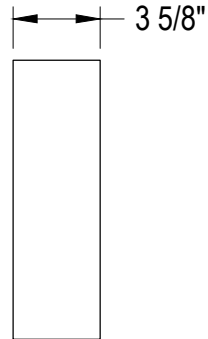
COLOR: \_\_\_\_\_  
 FINISH: \_\_\_\_\_  
 QUANTITY: \_\_\_\_\_  
 UNIT WEIGHT: 52 LBS.



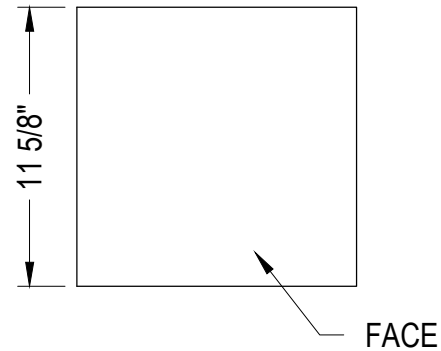
ISOMETRIC VIEW



TOP VIEW



SIDE VIEW



FRONT VIEW

**MANUFACTURER NOTES**

1. ALL UNIT SIZES ARE NOMINAL 3/8" LESS TO ALLOW FOR MORTAR JOINT
2. AVAILABLE IN POLISHED, GROUND AND TEXTURED FINISHES
3. ALL UNITS MANUFACTURED TO ASTM C-90 SPECIFICATIONS

DISCLAIMER:  
THESE GRAPHICAL REPRESENTATIONS ARE INTENDED FOR PRELIMINARY DESIGN PURPOSES ONLY AND SHOULD NOT BE USED FOR CONSTRUCTION. FINAL DESIGN SHOULD BE APPROVED BY A QUALIFIED, LICENSED PROFESSIONAL ENGINEER.



MAX VENEER  
MASONRY UNITS

4 X 12 X 12 SOLID BLOCK

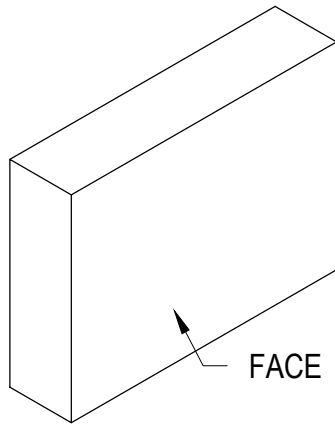
SCALE: 1 1/2" = 1'-0"

COLOR: \_\_\_\_\_  
FINISH: \_\_\_\_\_  
QUANTITY: \_\_\_\_\_  
UNIT WEIGHT: 39 LBS.

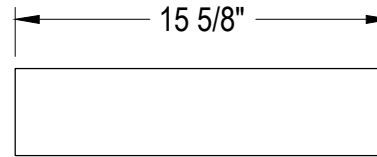
DATE: 03/10/2024

PRODUCT #: 405030000

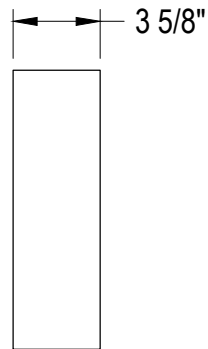
5640-017



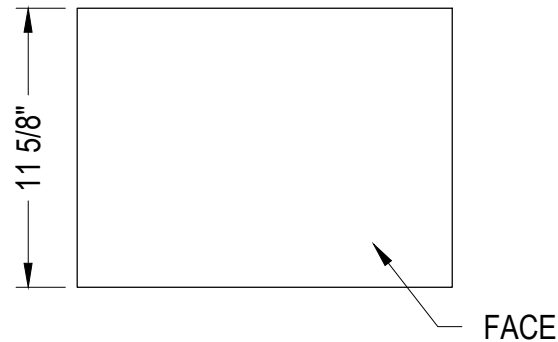
ISOMETRIC VIEW



TOP VIEW



SIDE VIEW



FRONT VIEW

**MANUFACTURER NOTES**

1. ALL UNIT SIZES ARE NOMINAL 3/8" LESS TO ALLOW FOR MORTAR JOINT
2. AVAILABLE IN POLISHED, GROUND AND TEXTURED FINISHES
3. ALL UNITS MANUFACTURED TO ASTM C-90 SPECIFICATIONS

DISCLAIMER:  
THESE GRAPHICAL REPRESENTATIONS ARE INTENDED FOR PRELIMINARY DESIGN PURPOSES ONLY AND SHOULD NOT BE USED FOR CONSTRUCTION. FINAL DESIGN SHOULD BE APPROVED BY A QUALIFIED, LICENSED PROFESSIONAL ENGINEER.



MAX VENEER  
MASONRY UNITS

4 X 12 X 16 SOLID BLOCK

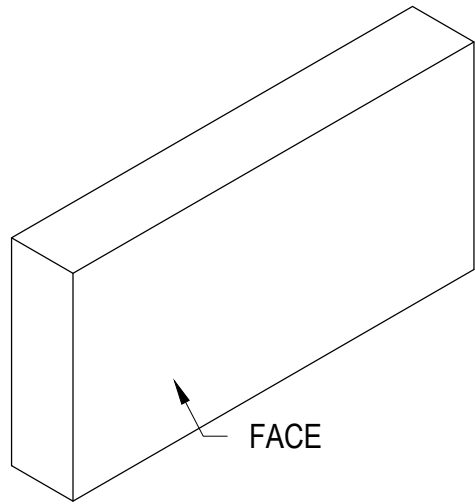
SCALE: 1 1/2" = 1'-0"

COLOR: \_\_\_\_\_  
FINISH: \_\_\_\_\_  
QUANTITY: \_\_\_\_\_  
UNIT WEIGHT: 53 LBS.

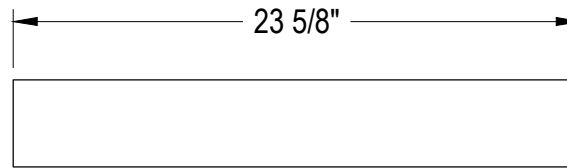
DATE: 03/10/2024

PRODUCT #: 405106000

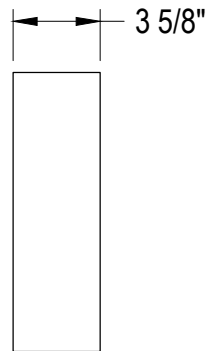
5640-018



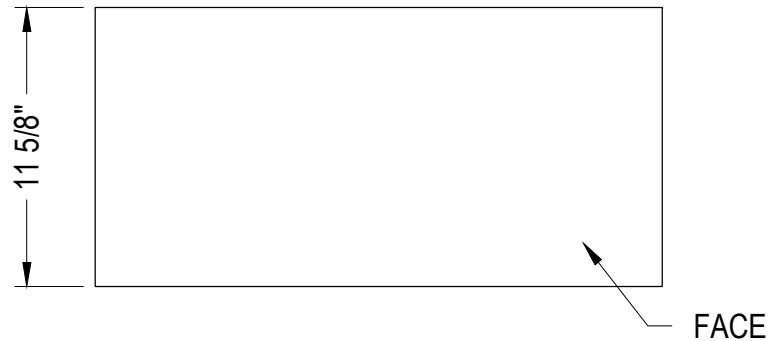
ISOMETRIC VIEW



TOP VIEW



SIDE VIEW



FRONT VIEW

**MANUFACTURER NOTES**

1. ALL UNIT SIZES ARE NOMINAL 3/8" LESS TO ALLOW FOR MORTAR JOINT
2. AVAILABLE IN POLISHED, GROUND AND TEXTURED FINISHES
3. ALL UNITS MANUFACTURED TO ASTM C-90 SPECIFICATIONS

DISCLAIMER:  
 THESE GRAPHICAL REPRESENTATIONS ARE INTENDED FOR PRELIMINARY DESIGN PURPOSES ONLY AND SHOULD NOT BE USED FOR CONSTRUCTION. FINAL DESIGN SHOULD BE APPROVED BY A QUALIFIED, LICENSED PROFESSIONAL ENGINEER.



MAX VENEER  
 MASONRY UNITS

4 X 12 X 24 SOLID BLOCK

SCALE: 1 1/2" = 1'-0"

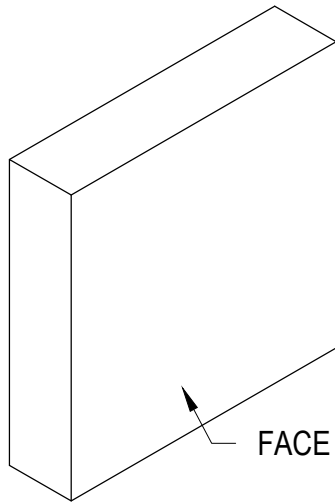
COLOR: \_\_\_\_\_  
 FINISH: \_\_\_\_\_  
 QUANTITY: \_\_\_\_\_  
 UNIT WEIGHT: 78 LBS.

DATE: 03/10/2024

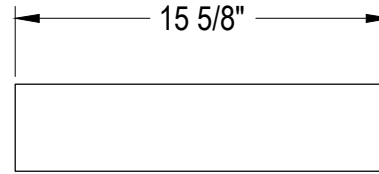
PRODUCT #: 405031000

5640-019

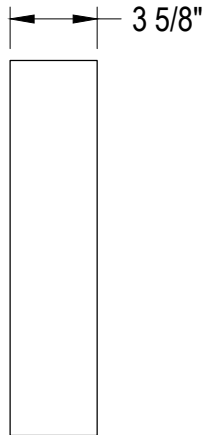




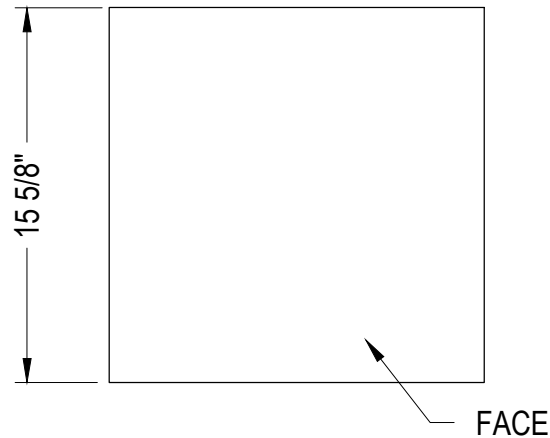
ISOMETRIC VIEW



TOP VIEW



SIDE VIEW



FRONT VIEW

**MANUFACTURER NOTES**

1. ALL UNIT SIZES ARE NOMINAL 3/8" LESS TO ALLOW FOR MORTAR JOINT
2. AVAILABLE IN POLISHED, GROUND AND TEXTURED FINISHES
3. ALL UNITS MANUFACTURED TO ASTM C-90 SPECIFICATIONS

DISCLAIMER:  
 THESE GRAPHICAL REPRESENTATIONS ARE INTENDED FOR PRELIMINARY DESIGN PURPOSES ONLY AND SHOULD NOT BE USED FOR CONSTRUCTION. FINAL DESIGN SHOULD BE APPROVED BY A QUALIFIED, LICENSED PROFESSIONAL ENGINEER.



MAX VENEER  
 MASONRY UNITS

4 X 16 X 16 SOLID BLOCK

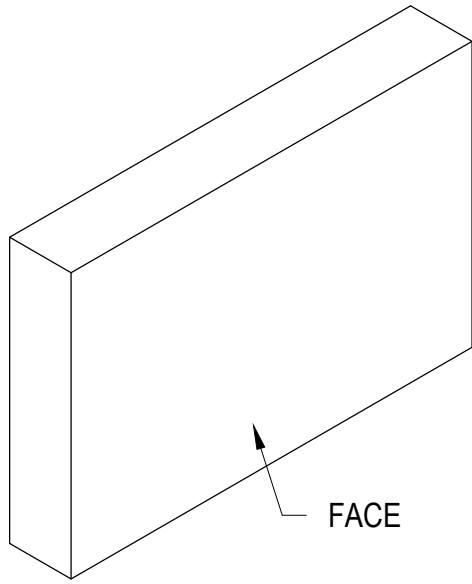
SCALE: 1 1/2" = 1'-0"

DATE: 03/10/2024

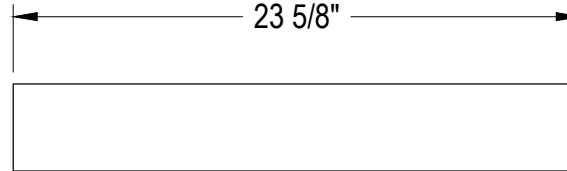
PRODUCT #: 405034000

5640-020

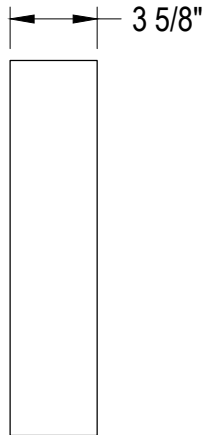
COLOR: \_\_\_\_\_  
 FINISH: \_\_\_\_\_  
 QUANTITY: \_\_\_\_\_  
 UNIT WEIGHT: 69 LBS.



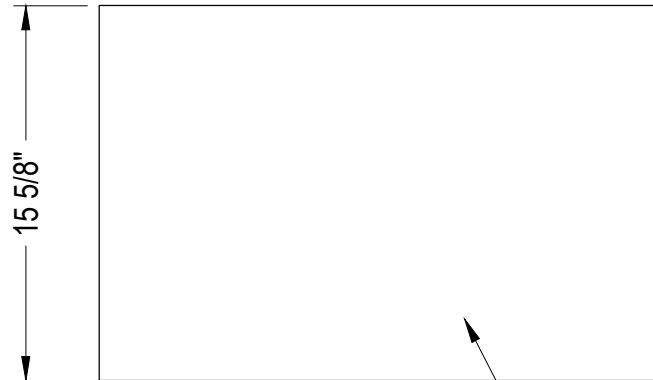
ISOMETRIC VIEW



TOP VIEW



SIDE VIEW



FRONT VIEW

FACE

MANUFACTURER NOTES

1. ALL UNIT SIZES ARE NOMINAL 3/8" LESS TO ALLOW FOR MORTAR JOINT
2. AVAILABLE IN POLISHED, GROUND AND TEXTURED FINISHES
3. ALL UNITS MANUFACTURED TO ASTM C-90 SPECIFICATIONS

DISCLAIMER:  
THESE GRAPHICAL REPRESENTATIONS ARE INTENDED FOR PRELIMINARY DESIGN PURPOSES ONLY AND SHOULD NOT BE USED FOR CONSTRUCTION. FINAL DESIGN SHOULD BE APPROVED BY A QUALIFIED, LICENSED PROFESSIONAL ENGINEER.



MAX VENEER  
MASONRY UNITS

4 X 16 X 24 SOLID BLOCK

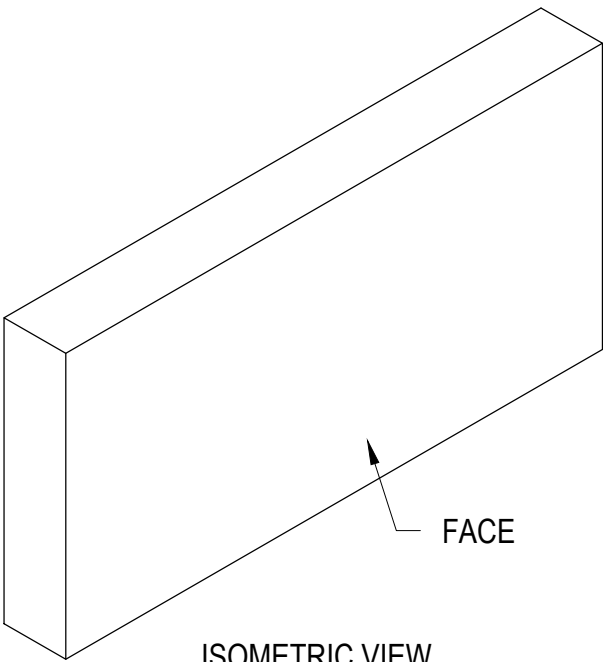
SCALE: 1 1/2" = 1'-0"

DATE: 03/10/2024

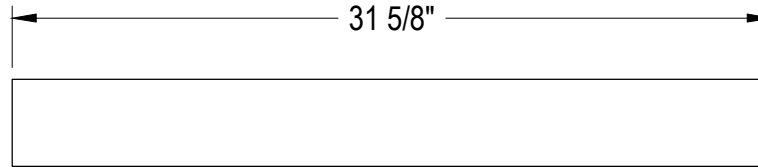
PRODUCT #: 405081000

5640-021

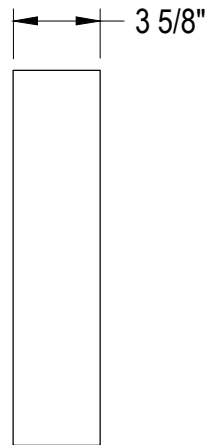
COLOR: \_\_\_\_\_  
FINISH: \_\_\_\_\_  
QUANTITY: \_\_\_\_\_  
UNIT WEIGHT: 103 LBS.



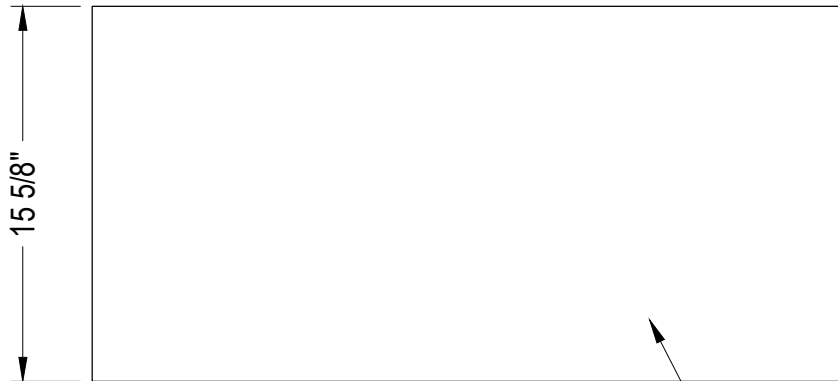
ISOMETRIC VIEW



TOP VIEW



SIDE VIEW



FRONT VIEW

MANUFACTURER NOTES

1. ALL UNIT SIZES ARE NOMINAL 3/8" LESS TO ALLOW FOR MORTAR JOINT
2. AVAILABLE IN POLISHED, GROUND AND TEXTURED FINISHES
3. ALL UNITS MANUFACTURED TO ASTM C-90 SPECIFICATIONS

DISCLAIMER:  
THESE GRAPHICAL REPRESENTATIONS ARE INTENDED FOR PRELIMINARY DESIGN PURPOSES ONLY AND SHOULD NOT BE USED FOR CONSTRUCTION. FINAL DESIGN SHOULD BE APPROVED BY A QUALIFIED, LICENSED PROFESSIONAL ENGINEER.



MAX VENEER  
MASONRY UNITS

4 X 16 X 32 SOLID BLOCK

SCALE: 1 1/2" = 1'-0"

COLOR: \_\_\_\_\_  
FINISH: \_\_\_\_\_  
QUANTITY: \_\_\_\_\_  
UNIT WEIGHT: 138 LBS.

DATE: 03/10/2024

PRODUCT #: 405037000

5640-023